



City of Tacoma, WA

TACOMA POWER

REQUEST FOR BIDS

**SINGLE PHASE PAD MOUNTED DISTRIBUTION
TRANSFORMERS**

SPECIFICATION NO. PT24-0124N



**City of Tacoma
Tacoma Power/Transmission & Distribution**

**REQUEST FOR BIDS PT24-0124N
Single Phase Pad Mounted Distribution Transformers**

Submittal Deadline: 11:00 a.m., Pacific Time, Friday, June 14th, 2024

Submittals must be received by the City’s Procurement and Payables Division prior to 11:00 a.m. Pacific Time.

For electronic submittals, the City of Tacoma will designate the time of receipt recorded by our email, sendbid@cityoftacoma.org, as the official time of receipt. This clock will be used as the official time of receipt of all parts of electronic bid submittals. For in person submittals, the City of Tacoma will designate the time of receipt recorded by the timestamp located at the lobby security desk, as the official time of receipt. Late submittals will be returned unopened and rejected as non-responsive.

Submittal Delivery: Submittals will be received as follows:

<p>By Email: sendbid@cityoftacoma.org Maximum file size: 35 MB. Multiple emails may be sent for each submittal</p>	<p>In Person: Tacoma Public Utilities Administration Building North, Main Floor, Lobby Security Desk 3628 South 35th Street Tacoma, WA 98409 Monday – Friday 8:00 am to 4:30 pm</p>
---	--

Bid Opening: Submittals in response to a RFB will be opened at the time listed in the submittal deadline.

Solicitation Documents: An electronic copy of the complete solicitation documents may be viewed and obtained by accessing the City of Tacoma Purchasing website at www.TacomaPurchasing.org.

- [Register for the Bid Holders List](#) to receive notices of addenda, questions and answers and related updates.
- Click here to see a [list of vendors registered for this solicitation](#).

Pre-Proposal Meeting: A pre-proposal meeting will not be held.

Project Scope: Tacoma Public Utilities (TPU) is soliciting bids for a one-time purchase order with qualified vendors to fulfill the City’s needs for single phase pad mounted distribution transformers. Purchase order(s) will be awarded to the lowest responsive and responsible bidder(s) based on price, product quality and availability.

Estimate: \$500,000

Paid Sick Leave: The City of Tacoma requires all employers to provide paid sick leave in accordance with Washington State law.

Americans with Disabilities Act (ADA Information: The City of Tacoma, in accordance with Section 504 of the Rehabilitation Act (Section 504) and the Americans with Disabilities Act (ADA), commits to nondiscrimination on the basis of disability, in all of its programs and activities. Specification materials can be made available in an alternate format by emailing the contact listed below in the *Additional Information* section.

Title VI Information: “The City of Tacoma” in accordance with provisions of Title VI of the Civil Rights Act of 1964, (78 Stat. 252, 42 U.S.C. sections 2000d to 2000d-4) and the Regulations, hereby notifies all bidders that it will affirmatively ensure that in any contract entered into pursuant to this advertisement, disadvantaged business enterprises will be afforded full and fair opportunity to submit bids in response to this invitation and will not be discriminated against on the grounds of race, color, national origin in consideration of award.

Additional Information: Requests for information regarding the specifications may be obtained by contacting Aaron Bratton by email to abrattont@cityoftacoma.org.

Protest Policy: City of Tacoma protest policy, located at www.tacomapurchasing.org, specifies procedures for protests submitted prior to and after submittal deadline.




Meeting sites are accessible to persons with disabilities. Reasonable accommodations for persons with disabilities can be arranged with 48 hours advance notice by calling 253-502-8468.

TABLE OF CONTENTS

REQUEST FOR BIDS..... 2
TABLE OF CONTENTS..... 4
SUBMITTAL CHECK LIST 5
1. MINIMUM REQUIREMENTS 5
2. STANDARD TERMS AND CONDITIONS 5
3. DESCRIPTION OF WORK 5
4. CALENDAR OF EVENTS 6
5. INQUIRIES 6
6. PRE-BID MEETING 6
7. DISCLAIMER..... 6
8. RESPONSIVENESS 7
9. AWARD 7
10. COMPLIANCE WITH SPECIFICATIONS..... 8
11. MATERIALS AND WORKMANSHIP 8
12. ENVIRONMENTALLY PREFERABLE PROCUREMENT 8
APPENDIX A 9
APPENDIX B36

SUBMITTAL CHECK LIST

This checklist identifies items to be included with your submittal. Any submittal received without these required items may be deemed non-responsive and not be considered for award. Submittals must be received by the City of Tacoma Purchasing Division by the date and time specified in the Request for Bids page.

The following items make up your complete electronic submittal package (include all the items below):	
Signature Page (Appendix B) To be filled in and executed by a duly authorized officer or representative of the bidding entity. If the bidder is a subsidiary or doing business on behalf of another entity, so state, and provide the firm name under which business is hereby transacted.	
Price Proposal Forms (Appendix B) The unit prices bid must be shown in the space provided. Check your computations for omissions and errors.	
Supplemental Information – Section 1.04 of Special Provisions in Appendix A <ul style="list-style-type: none">• Product Data Sheets• Drawings• DOE Certification	
After award, the following documents will be executed:	
City of Tacoma Purchase Order Read Standard Terms and Conditions in Section 2.	

1. MINIMUM REQUIREMENTS

Manufacturers experienced in the supply of materials as detailed within this specification and Section 1.01.3 of the Special Provisions in Appendix A.

2. STANDARD TERMS AND CONDITIONS

City of Tacoma [Standard Terms and Conditions](#) apply.

3. DESCRIPTION OF WORK

Tacoma Public Utilities (TPU) is soliciting bids for a one-time purchase order with qualified vendors to fulfill the City's needs for single phase pad mounted distribution transformers. Purchase order(s) will be awarded to the lowest responsive and responsible bidder(s) based on price, product quality and availability.

4. CALENDAR OF EVENTS

This is a tentative schedule only and may be altered at the sole discretion of the City.

Purchase Order may be issued after Public Utility Board and/or City Council approval.

The anticipated schedule of events concerning this RFB is as follows:

Question Deadline:	5/31/2024
City response to Questions:	6/7/2024
Submittal Due Date:	6/14/2024
Anticipated Award Date, on or about:	6/21/2024
Public Utility Board/City Council Approval, on or about:	7/24/2024

5. INQUIRIES

- 5.1 Questions can be submitted to *Aaron Bratton*, Senior Buyer, via email to abratt@cityoftacoma.org. Subject line to read:
PT24-0124N – Single Phase Pad Mounted Distribution Transformers – *VENDOR NAME*
- 5.2 Questions are due by 3 pm on the date included in the Calendar of Events section.
- 5.3 Questions marked confidential will not be answered or included.
- 5.4 The City reserves the discretion to group similar questions to provide a single answer or not to respond when the requested information is confidential.
- 5.5 The answers are not typically considered an addendum.
- 5.6 The City will not be responsible for unsuccessful submittal of questions.
- 5.7 Written answers to questions will be posted alongside these specifications at www.tacomapurchasing.org.

6. PRE-BID MEETING

No pre-proposal meeting will be held; however, questions and request for clarifications of the specifications may be submitted as stated in the [inquiries](#) section.

7. DISCLAIMER

The City is not liable for any costs incurred by the Respondent for the preparation of materials or a proposal submitted in response to this RFB, for conducting any presentations to the City, or any other activities related to responding to this RFB, or to any subsequent requirements of the contract negotiation process.

8. RESPONSIVENESS

Bid submittals must provide ninety (90) days for acceptance by City from the due date for receipt of submittals. All submittals will be reviewed by the City to determine compliance with the requirements and instructions specified in this RFB. The Respondent is specifically notified that failure to comply with any part of this RFB may result in rejection of the submittal as non-responsive. The City reserves the right, in its sole discretion, to waive irregularities deemed immaterial. The City also reserves the right to not award a contract or to issue subsequent RFB's

9. AWARD

Awardee shall be required to comply with 2 CFR part 25, and obtain a unique entity identifier and/or be registered in the federal System for Award Management as appropriate.

Award will be made to the lowest responsive, responsible bidder. All bidders shall provide unit or lump sum pricing for each line item. Each line item will be added up for a subtotal price. The subtotal price will be compared amongst each bidder, including any payment discount terms offered twenty (20) days or more. The City may also take into consideration all other criteria for determining award, including evaluation factors set forth in Municipal Code Section 1.06.262.

All other elements or factors, whether or not specifically provided for in this specification, which would affect the final cost to and the benefits to be derived by the City will be considered in determining the award of the contract. The final award decision will be based on the best interests of the City.

The City reserves the right to let the contract to the lowest responsible bidder whose bid will be the most advantageous to the City, price and any other factors considered. In evaluating the proposals, the City may also consider any or all of the following:

1. Compliance with specification.
2. Proposal prices, listed separately if requested, as well as a lump sum total
3. Time of completion/delivery.
4. Warranty terms.
5. Bidder's responsibility based on, but not limited to:
 - a) Ability, capacity, organization, technical qualifications and skill to perform the contract or provide the services required.
 - b) References, judgment, experience, efficiency and stability.
 - c) Whether the contract can be performed within the time specified.
 - d) Quality of performance of previous contracts or services

10. COMPLIANCE WITH SPECIFICATIONS

All products shall be new and unused. Any product that does not comply with any part of these technical specifications shall be rejected and the vendor shall, at its own expense, including shipping, replace the item.

11. MATERIALS AND WORKMANSHIP

The successful bidder shall be required to furnish all materials necessary to perform contractual requirements. Materials and workmanship for this contract shall conform to all codes, regulations and requirements for such specifications contained herein and the normal uses for which intended. Material shall be manufactured in accordance with the best commercial practices and standards for this type of goods. All literature and products must be packaged and labeled to sell in the United States.

12. ENVIRONMENTALLY PREFERABLE PROCUREMENT

In accordance with the [City's Sustainable Procurement Policy](#) and [Climate Action Plan](#), it is the policy of the City of Tacoma to encourage the use of products or services that help to minimize the environmental and human health impacts of City Operations. Respondents are encouraged to incorporate environmentally preferable products or services that have a lesser or reduced effect on human health and the environment when compared with competing products or services that serve the same purpose. This comparison may consider raw materials acquisition, products, manufacturing, packaging, distribution reuse, operation, maintenance or disposal of the product or service.

The City of Tacoma encourages the use of sustainability practices and desires any awarded contractor(s) to assist in efforts to address such factors when feasible for:

- Durability, reusability, or refillable
- Pollutant releases, especially persistent bioaccumulative toxins (PBTs), low volatile organic compounds (VOCs), and air quality and stormwater impacts
- Toxicity of products used
- Greenhouse gas emissions, including transportation of products and services, and embodied carbon
- Recycled content
- Energy and water resource efficiency

APPENDIX A

Special Provisions

Technical Specifications

A-UG-1215 1Ph PadTx Fusing



Material Specification

15kV Single Phase Pad-Mounted Transformers

Table of Contents

Section 1 – Special Provisions

- 1.01 – Scope of Bid
 - 1.01.1 – Purpose
 - 1.01.2 – Definitions
 - 1.01.3 – Qualifications
- 1.02 – Pricing and Purchase Orders
 - 1.02.1 – Prices Quoted
 - 1.02.2 – Freight Allowances
 - 1.02.3 – Quantities and Purchase Orders
 - 1.02.3A – Working Days
- 1.03 – Respondent's Proposal
 - 1.03.01 – Respondent Requirements
 - 1.03.1A – Signature Page
 - 1.03.1B – Proposal Sheet Data Requirements
 - 1.03.2 – Alternate Bids
 - 1.03.2A – Alternate Bid Proposals
 - 1.03.2B – Alternate Materials
 - 1.03.2C – Alternate Evaluation
 - 1.03.3 – English Language Requirements
 - 1.03.4 – Costs to Prepare Submittal
- 1.04 – Items to Be Included with Bid
 - 1.04.1 – Product Data Sheet and Drawings
 - 1.04.1A – Certified Drawings
 - 1.04.2 – DOE Compliance Certification
- 1.05 – Safety and Standards
- 1.06 – Approved Equal
 - 1.06.1 – Determination of Equality
 - 1.06.1A – Required Materials
- 1.07 – Evaluation & Award
- 1.08 – Delivery Date
 - 1.08.1 – Notification
 - 1.08.1A – Delays Beyond the Control of the Supplier
- 1.09 – Force Majeure
 - 1.09.A – Termination of Purchase Order Release(s)
 - 1.09.B – Due Diligence
- 1.10 – Packing and Shipping
 - 1.10.1 – Packing Requirements
 - 1.10.1A – Pallets
 - 1.10.1A.1 – Attachment to Pallets
 - 1.10.1B – Bar Coding
 - 1.10.1C – Transformer Transport & Condition
- 1.11 – Delivery
 - 1.11.1 – Transformer Delivery Location
 - 1.11.2 – Shipping Notices
- 1.12 – Documentation Required for Delivery of Equipment
 - 1.12.1 – Test Procedures
 - 1.12.2 – Data Reports
 - 1.12.3 – Delivery of Data Reports
 - 1.12.3A – Distribution of Data Reports
 - 1.12.4 – Material Safety Data Sheets (MSDS)
- 1.13 – Inspection & Warranty
 - 1.13.1 – Failure of Inspection
 - 1.13.2 – Warranty
 - 1.13.2A – Warranty Period Extension
 - 1.13.2B – Warranty Work
 - 1.13.2B.1 – Minor Warranty Work
 - 1.13.2B.2 – Return Time Frame
- 1.14 – Invoices & Payment
 - 1.14.1 – Invoices
 - 1.14.2 – Payment
 - 1.14.2A – Unsatisfactory Performance
- 1.15 – Contract Exceptions

- 1.15.1 – Non-Responsive
- 1.15.2 – Cost of Compliance
- 1.15.3 – Multiple Proposals

Section 2 – Technical Provisions

- 2.01– Standards & Terminology
 - 2.01.1 – Standards
- 2.02 – Transformer Efficiency
- 2.03 – Enclosure Specifications
 - 2.03.1 – Dimensions
 - 2.03.1A – Type 1 Transformers
 - 2.03.1B – Type 2 Transformers
 - 2.03.2 – Depth of Door
 - 2.03.3 – Door Compatible with City of Tacoma supplied secondary terminal connectors
 - 2.03.4 – Minimum Cable Access Opening
 - 2.03.5 – Enclosure Material
 - 2.03.6 – Hinge and Fastening Hardware
 - 2.03.7 – Enclosure Coating
 - 2.03.8 – Crowning
 - 2.03.9 – Locking System
 - 2.03.10 – Lifting Bolt Attachment
 - 2.03.11 – Sill
 - 2.03.12 – Oil Fill and Drain Plugs
 - 2.03.13 – Pressure Relief
 - 2.03.14 – Fill or “Nitrogen” Valve
 - 2.03.15 – Gaskets
 - 2.03.16 – Nameplate Information
- 2.04 – Insulation Level
- 2.05 – Apparatus Specifications
 - 2.05.1 – Type 1 Transformers (Items 1 – 3)
 - 2.05.2 – Type 2 Transformers (Items 4 – 14)
 - 2.05.2A – Parking Stand for Type 2 Transformers
 - 2.05.3 – Grounding Provisions
 - 2.05.4 – Bay-o-net Fuse Holder
 - 2.05.4A – Fuse Links
 - 2.05.4B – Drip Shield
 - 2.05.4C – Isolation Link
 - 2.05.5 – Primary HV Terminations
 - 2.05.5A – Bushing Wells
 - 2.05.5B – Loadbreak Bushing Inserts
 - 2.05.5B.1 – Bleed Wire
 - 2.05.5B.2 – Dust Cover
 - 2.05.6 – Low Voltage Terminals
 - 2.05.6A – Secondary Terminal Location
 - 2.05.6B – Low Voltage Terminal Dimensions
 - 2.05.6C – Terminal Insulating Material
 - 2.05.6D – Vertical Separation
 - 2.05.6E – Ground Strap and Brass Jam Nuts
- 2.06 – Core/Coil Specifications
 - 2.06.1 – Design Temperatures
 - 2.06.2 – Coil Construction
 - 2.06.3 – Core/Coil Schematics
- 2.07 – Insulating Fluids
 - 2.07.1 – Mineral Oil
 - 2.07.2 – Natural Ester-based Insulating Fluid
- 2.08 – Stenciling and Labels (refer to figures 1 – 4)
 - 2.08.1 – kVa and Voltage Designations
 - 2.08.1A – Location
 - 2.08.2 – Tracking Numbers (SAP #)
 - 2.08.2A – Size, Color, and Location
 - 2.08.3 – Natural Ester Fluid Transformers
 - 2.08.4 – Safety Labels
 - 2.08.4A – Approved Symbol on Label



Material Specification 15kV Single Phase Pad-Mounted Transformers

2.08.4B - Location

- Figure 1
- Figure 2
- Figure 3
- Figure 4



Material Specification 15kV Single Phase Pad-Mounted Transformers

SECTION I – SPECIAL PROVISIONS

1.01 - SCOPE OF BID

1.01.1 - PURPOSE

The purpose of these Specifications is to define the scope of supply for Single Phase Pad Mounted Distribution Transformers that meet the minimum requirements as to quality, function, and capacity as outlined in the Special and Technical Provisions that follow.

1.01.2 - DEFINITIONS

For the purposes of this Specification, the following definitions shall apply:

Term	Definition
RESPONDENT	A potential Supplier offering a submittal to supply equipment in accordance with these Specifications.
SPECIFICATION	This document, detailing the scope of supply.
SUPPLIER/CONTRACTOR	The Respondent(s) awarded a contract pursuant to these Specifications.
SUB-VENDOR	Any Supplier providing parts, materials, and/or services to the Supplier under these Specifications.
EQUIPMENT/ MATERIAL	A fully functional piece of equipment/material supplied and tested in accordance with these Specifications.
MANUFACTURER	The original manufacturer of the equipment/material.
ENGINEER	The project engineer and/or contract administrator.
CITY	The City of Tacoma, Tacoma Power.
DELIVERY TIME	The length of time starting at the date of Supplier receipt of a purchase order or notice to proceed and ending at the time that the item(s) are received at Tacoma Power.

1.01.3 - QUALIFICATIONS

To further detail the requirements of Section 1.20.A.1 of the City Standard Terms and Conditions, only submittals which offer products from manufacturers experienced in the supply of materials as detailed within this Specification over a period of five (5) years or more will be considered responsive. A responsive submittal will demonstrate a record of successful completion of contracts similar in scope and size to that outlined in this Specification. The City shall be the sole judge of the Respondent's ability to meet the requirements of this paragraph.



Material Specification 15kV Single Phase Pad-Mounted Transformers

1.02 - PRICING AND PURCHASE ORDERS

1.02.1 - PRICES QUOTED

The prices quoted on the Proposal Pricing Sheets shall remain open for acceptance by the City for a minimum of 30 days from the submittal deadline. Prices quoted should reflect pricing that will be firm through the delivery of the materials on the purchase order.

1.02.2 - FREIGHT ALLOWANCES

The Respondent shall provide prices including delivery F.O.B. Destination, Pre-Paid and Allowed (included in unit price), as noted on the Proposal Pricing Sheets.

1.02.3 - QUANTITIES AND PURCHASE ORDERS

The quantities listed on the Proposal Pricing Sheets are the City's desired quantities for a one-time purchase. The purchase order will be delivered to the Supplier by email. If supplier is unable to provide the full quantity requested, please indicate the quantity able to be provided by crossing out the requested quantity and entering the number of units available on the Pricing Proposal Sheet.

1.02.3A - WORKING DAYS

Working days are weekly Monday through Friday. City observed holidays as listed in City Standard Terms and Conditions Section 1.24 would not be included.

1.03 - RESPONDENT'S PROPOSAL

1.03.1 - RESPONDENT REQUIREMENTS

Submittals must be emailed with the Specification number, Specification title, and Respondent name in the subject line, and received by the City of Tacoma Purchasing Division by the date and time specified in the Request for Bids page or subsequent addenda.

The bid package submitted must be returned with the Respondent's proposal filled in as directed, including all data requested by the Provisions of these Specifications. All blank spaces on the Proposal forms will be properly filled in, printed in ink or typewritten.

1.03.1A - SIGNATURE PAGE

The "Signature Page" included with the original submittal shall be signed in INK by the responsible company official and include printed or typewritten designation of the office they hold in the company.

1.03.1B - PROPOSAL SHEET DATA REQUIREMENTS

The Proposal Pricing Sheets request the following information to be included with the Respondent's submittal. Submittals that do not include the requested information shall be considered non-responsive.

Required Values	Specific Requirement
Height (in.)	The height of a typical unit in inches
Diameter (in.)	The diameter of a typical unit in inches
Weight Including Oil (lbs)	The weight of a typical unit in pounds.



Material Specification 15kV Single Phase Pad-Mounted Transformers

Oil Capacity (gal.)	The quantity of oil in a typical unit in gallons.
No-Load Loss (watts)	The maximum guaranteed no-load losses in watts per IEEE C57.12.00 and C57.12.90 ^[1] .
Load Loss (watts)	The maximum guaranteed load losses in watts per IEEE C57.12.00 and C57.12.90 ^[1] .
Impedance	Measured at 85°C per IEEE C57.12.00.
Represented Efficiency	The represented transformer efficiency certified by the manufacturer per DOE 10 CFR Part 431

^[1] Each individual unit shipped to the City shall be less than or equal to these quoted maximum guaranteed losses or may be returned to the factory for replacement at the manufacturer's expense.

1.03.2 - ALTERNATE BIDS

All bids including alternates shall include an original Signature Page. Each bid package submitted must be returned with the Respondent's proposal completed as directed, including all data requested.

1.03.2A - ALTERNATE BID PROPOSALS

Alternate bid proposals must be submitted as a separate bid package and identified as "ALTERNATE".

1.03.2B - ALTERNATE MATERIALS

Complete data must be submitted with the bid, including the information as requested in Section 1.06.1A "Required Materials". The data shall demonstrate that the alternative item is of a quality equal to or better than that specified and has the required characteristics for the intended use. Failure to submit such data will render the bid non-responsive.

1.03.2C – ALTERNATE EVALUATION

Upon request, the Respondent shall furnish to the City, within five (5) working days, additional information relating to such alternative items as the City may require. In the event that the equivalency is not readily ascertained from the information supplied by the Respondent, the City may test the material/equipment or have it tested. The Respondent shall bear all expenses of the City's determination of whether or not alternative equipment, materials, or processes are equal to those designated.

1.03.3 - ENGLISH LANGUAGE REQUIREMENTS

All drawings, correspondence, catalogs, submittals, nameplates, etc., shall be in the English language as used in the U.S. Dimensions and tolerances shall conform to ANSI Y14.5M and shall be in the U.S. customary units. If units are fabricated utilizing SI units (metric system), both units shall be shown on the drawings, nameplate, etc. U.S. units shall be shown above the SI units. Conversion tolerances shall have a maximum tolerance of 1/32-inch (2.70 mm) and/or one ounce (28.4 grams).

1.03.4 - COSTS TO PREPARE SUBMITTAL

The City is not liable for any costs incurred by the Respondent for the preparation of materials, or a proposal submitted in response to this RFB, conducting presentations to the City, or any other activities related to responding to this RFB.



Material Specification 15kV Single Phase Pad-Mounted Transformers

1.04 - ITEMS TO BE INCLUDED WITH BID

1.04.1 - PRODUCT DATA SHEET AND DRAWINGS

The Respondent shall include with their submittal manufacturer product data sheets (cut sheets) and drawings of the transformers to be supplied. Drawings shall include overall dimensions, bushings and ground connections. Drawings will be accepted for bid evaluation purposes that do not contain extensive details of construction.

1.04.1A - CERTIFIED DRAWINGS

Following evaluation of the bid submittals and prior to final approval of a PO, the firm(s) identified for award will be required to provide certified manufacturer drawings reflecting materials consistent with the Technical Provisions of these Specifications. Information furnished shall be sufficient in detail and clarity to enable making a complete and positive check with the specification requirements. A detailed, one-page, drawing of each unit (MID#) shall be submitted. Drawings shall include the following:

- Tacoma Power MID#
- Primary and Secondary Voltages
- kVA
- Dimensions
- Weights
- Insulating Fluid
- Standard features (especially Tacoma Power requirements not included in the IEEE standards, etc.)

Approval of a certified drawing by Tacoma Power does not relieve the manufacturer of any requirements of these Specifications, unless previously documented by written agreement. Regardless of the content of the drawings the manufacturer is required to supply transformers to Tacoma Power meeting the Technical Provisions of these Specifications or be subject to rejection per Section 1.13.1.

1.04.2 - DOE COMPLIANCE CERTIFICATION

Respondents shall provide a copy of their latest on-line compliance certification done through the U.S. Department of Energy's on-line Compliance Certification Management System (CCMS).

1.05 - SAFETY AND STANDARDS

The Items supplied shall meet appropriate ANSI, OSHA, WISHA, and all federal, state, and local standards for its intended use. Refer to Technical Provisions for specific industry standards that apply to the Specifications of this bid.

1.06 - APPROVED EQUAL

The term "approved equal" shall mean that the quality and characteristics of equipment or materials intended for use must be equal to the listed items.

1.06.1 - DETERMINATION OF EQUALITY

The City or its designee will determine the suitability, reliability, and serviceability of a proposed substitute. Refer to Section 1.36 of the City Terms and Conditions.



Material Specification 15kV Single Phase Pad-Mounted Transformers

1.06.1A - REQUIRED MATERIALS

To be considered by the City, the request for substitution shall be accompanied with the complete physical data, technical data, certified test results, manufacturer's catalog data, photographs, user's lists, failure data, samples, and the address of the nearest authorized service representative. Any other information, as required by the Engineer, shall be promptly provided upon request. The City shall be the sole arbiter in the determination of equality.

1.07 - EVALUATION & AWARD

Respondents are to provide unit or lump sum pricing for each line item, which will be summed for a subtotal price. Subtotals will be compared amongst each Respondent, including any offered payment discount terms of 20 days or more.

1.08 - DELIVERY DATE

Respondents must guarantee delivery times as stated on their Proposal Pricing Summary Sheet. The delivery time will be enforced for Purchase Order(s) resulting from this RFB.

1.08.1 - NOTIFICATION

Notification to deliver product will be by the issuance of a City of Tacoma purchase order (per Section 1.02) for the materials described in this Specification. Should delivery not be completed within the time specified in the Respondent's submittal, the Supplier may be subject to termination of Purchase Order(s) in Section 1.09.A.

1.08.1A - DELAYS BEYOND THE CONTROL OF THE SUPPLIER

Delays caused by problems beyond the control of the Supplier, if fully documented and submitted to the city, may be excused. This allowance shall in no way be construed to apply to or excuse delays caused by negligence on the part of the Supplier. (For additional information, refer to the Force Majeure portion, located in Section 1.09 of this document).

1.09 - FORCE MAJEURE

Unavoidable delays in the prosecution of the work shall include only delays from causes beyond the control of the Supplier and which he/she could not have avoided by the exercise of due care, prudence, foresight and diligence.

The Supplier shall not, be responsible for delays in delivery due to acts beyond his/her or manufacturer's reasonable control, or due to act of god, fire, strikes, epidemics, war, riot, unavoidable delay in transportation or rail car/transport shortages, or documented unavoidable material shortages, provided the City is notified in writing by the Supplier of such pending or actual delay and the reasons, therefore. If deemed excusable, the City shall authorize an extension of time. In the event of such an excusable delay, the date of delivery shall be extended for a period equal to the time lost due to the reason for delay. Any damage assessment or extensions of time are to be authorized by written purchase order changes issued by the City of Tacoma.

1.09.A - TERMINATION OF PURCHASE ORDER RELEASE(S)

If the delay will extend beyond 10 working days, the City may exercise the right to terminate any and all purchase order releases that are affected by the delay and obtain the items required materials from other sources.



Material Specification 15kV Single Phase Pad-Mounted Transformers

1.09.B - DUE DILIGENCE

It shall be the responsibility of the Supplier to supply the City with adequate documentation to demonstrate that the Supplier exercised due diligence in endeavoring to avoid the delay.

1.10 - PACKING AND SHIPPING

The Supplier shall be responsible for industry standard packing that conforms to the requirements of the carrier's tariffs and the ICC regulations.

1.10.1 - PACKING REQUIREMENTS

The material/equipment must be clearly marked as to lot number, destination, address, and purchase order number.

1.10.1A - PALLETS

All Single-Phase Pole-Mounted transformers will be delivered using one (1) pallet per transformer. DO NOT STACK or Ship on Racks. Pallets shall be designed for movement by pallet jack or forklift with a minimum of 3 rails @ 3 ½" inches of vertical clearance for forks.

1.10.1A.1 - ATTACHMENT TO PALLETS

Each transformer shall be bolted to the pallet or banded to the pallet by the lifting lugs. If banding is used, nonmetallic banding material is preferred to protect the painted surfaces of the lifting lugs. If metal banding is used, non-metallic inserts shall be used to isolate the banding material from the painted surface.

1.10.1B - BAR CODING

A bar code label shall be provided with each transformer that meets the requirements of IEEE Standard C57.12.35.

1.10.1C - TRANSFORMER TRANSPORT & CONDITION

Transformers shall be shipped year-round within enclosed trailers in a condition that will guard against paint damage and prevent the necessity for make-ready work or cleaning prior to testing and acceptance. Transformers shipped on flatbed trucks, even if tarped or otherwise protected may be refused and returned to Supplier.

1.11 - DELIVERY

Notice of Shipment is required and shall be received by the City at least 10 working days prior to delivery.



Material Specification 15kV Single Phase Pad-Mounted Transformers

1.11.1 - TRANSFORMER DELIVERY LOCATION

The shipper shall notify the Tacoma Power Transformer Shop Supervisor, to obtain final delivery information, a maximum of 72 hours and a minimum of 12 hours, prior to delivery.

The completed transformers shall be delivered F.O.B. between 9:00 a.m. and 3:00 p.m., Monday through Friday excluding City observed holidays (refer to section 1.24 of the Standard Terms and Conditions)	Tacoma Power T&D Transformer Shop 3628 South 35th Street (rear) Tacoma, Washington 98409 Attention: Transformer Shop
Phone Number	253-502-8671

1.11.2 - SHIPPING NOTICES

Shipping notices shall be emailed to: Shipping Notices shall include City of Tacoma Purchase Order Number.	TransformerDesk@cityoftacoma.org
---	----------------------------------

1.12 - DOCUMENTATION REQUIRED FOR DELIVERY OF EQUIPMENT

The successful Respondent will furnish a data report for each Tacoma Power transformer. The data shall be submitted to the Tacoma Power contract manager prior to or at the time of shipment from the factory.

1.12.1 - TEST PROCEDURES

All units supplied shall be tested at the manufacturer's factory per the routine production tests for liquid filled distribution transformers, including no-load and load losses, as defined in IEEE C57.12.00 and IEEE C57.12.90, latest revisions. Production test results are required for the data report.

1.12.2 - DATA REPORTS

The following steps will be followed concerning the delivery of data required. The spreadsheet containing all populated information is then sent back to the Tacoma Power Contract Manager prior to shipment of the units. The information required is:

- Serial Number
- Year of Manufacture
- Month of Manufacture
- Weight Including Oil (lbs)
- Oil Capacity (gal)
- Oil Type
- PCB Content
- %Z at 85°C
- X/R Ratio
- Maximum L.V. Short Circuit Current (kA)
- Maximum L.V. Short Circuit Current is at: (Specify L-L or L-N)
- No-Load Losses at 20°C (watts)
- Load Losses at 85°C (watts)
- % Efficiency (per DOE 10 CFR Part 431, the represented efficiency determined by testing or AEDM)



Material Specification 15kV Single Phase Pad-Mounted Transformers

- HV Bushing Mounting Hardware Installation Torque Value (if applicable)
- LV Bushing Mounting Hardware Installation Torque Value (if applicable)

1.12.3 - DELIVERY of DATA REPORTS

Step	Action
1	Upon issuance of a Purchase Order the Tacoma Power Contract Manager will email the appropriate representative of the vendor and/or manufacturer a Microsoft Excel spreadsheet which includes the number of transformers and their pre-assigned Tacoma SAP Equipment numbers.
2	The manufacturer will join individual transformer serial numbers with the Tacoma SAP Equipment numbers.

1.12.3A - DISTRIBUTION of DATA REPORTS

Data reports shall be submitted via email to:	Erica Pierce: epierce@cityoftacoma.org Chelsea Braithwaite: cbraithw@cityoftacoma.org Matthew Johnson: mjohnso3@cityoftacoma.org
---	---

1.12.4 - MATERIAL SAFETY DATA SHEETS (MSDS)

The successful Respondent must submit a manufacturer's Material Safety Data Sheet (MSDS) that complies with OSHA and WISHA guidelines for Hazard Communications Standard WAC 296-62-054 requirement for items identified as hazardous materials or items in whose normal use produces a hazardous material.

1.13 - INSPECTION & WARRANTY

All goods are subject to final inspection and acceptance by the Tacoma Power engineer and the appropriate shop foreman.

1.13.1 - FAILURE OF INSPECTION

Upon delivery, transformers will be inspected for defects and conformance to this Specification. The Supplier will be notified of all compliance issues and mutual arrangements shall be made for correcting the defects at no expense to the City. The City reserves the right to reject and return transformers failing to pass inspection. If so returned, the cost of transportation, unpacking, inspection, repacking, reshipping, or other like expenses are the responsibility of the Supplier.

Charges for dismantling and reinstallation of materials furnished pursuant to this purchase will be the responsibility of the Supplier only when a change out or replacement is required because of a suspected or known design defect or large-scale failure of manufacturer's quality control system.

1.13.2 – WARRANTY

Unless a longer period is specified, the Supplier and/or manufacturer of the supplies, materials and/or equipment furnished pursuant to this purchase agrees to correct any defect or failure of the supplies, materials and/or equipment which occurs within six



Material Specification 15kV Single Phase Pad-Mounted Transformers

months from the date of commencement of use, however, said warranty period shall not extend beyond twelve months after date of receipt by the City. When the Supplier is not the manufacturer of the item of equipment, Supplier agrees to be responsible for this warranty and Supplier is not relieved by a manufacturer's warranty.

1.13.2A - WARRANTY PERIOD EXTENSION

The warranty period shall be suspended from the time a significant defect is first documented by the City until the work or equipment is repaired or replaced by Supplier and accepted by the City. In addition, in the event less than thirty (30) days remain on the warranty period (after recalculating), the warranty period shall be extended to allow for at least thirty (30) days from the date the work or equipment is repaired or replaced and accepted by the City.

1.13.2B - WARRANTY WORK

The City has determined that the repair of material/equipment, under warranty, can best be done at the manufacturer's facility that makes this style or similar material/equipment, or at a mutually agreeable local repair facility. All material/equipment requiring warranty work will be returned to the Supplier at the Supplier's expense, or the manufacturer may replace the defective material/equipment(s) with new units.

1.13.2B.1 - MINOR WARRANTY WORK

Minor warranty work may be done on Tacoma Power's property if, in the opinion of Tacoma Power and in agreement with the Supplier, the useful life of the transformer is not affected by doing this work on site.

1.13.2B.2 - RETURN TIME FRAME

All warranty repair work on returned material/equipment shall be accomplished within the specified lead-time for delivery listed in the Supplier's bid submittal. Warranty repair time will be calculated from the time the material/equipment defect or failure is reported to the Supplier.

1.14 - INVOICES & PAYMENT

All items called for in these Specifications, including, but not limited to, the necessary drawings and test results, must be supplied to the City before the final invoice can be processed.

1.14.1 - INVOICES

Invoices shall be emailed, per Section 1.39 of the Standard Terms and Conditions, to

AccountsPayable@cityoftacoma.org



Material Specification 15kV Single Phase Pad-Mounted Transformers

1.14.2 - PAYMENT

Upon certification by the Engineer and/or appropriate warehouse personnel that the items have been received in accordance with the Specifications and are in satisfactory condition, a 100 percent payment will be made. Payment methods include:

- Credit card. Tacoma's VISA procurement card program is supported by standard bank credit Suppliers and requires merchants abide by the VISA merchant operating rules.
- Vendors must be PCI-DSS compliant (secure credit card data management).
- Vendors must be set up by their card processing equipment provider (merchant acquirer) as a minimum of a Level II merchant with the ability to pass along tax, shipping and merchant references information.
- Electronic Funds Transfer (EFT) by Automated Clearing House (ACH).
- Check or other cash equivalent.

The City may consider cash discounts when evaluating submittals. See 1.20.2 of the Standard Terms and Conditions.

1.14.2A - UNSATISFACTORY PERFORMANCE

In the case of unsatisfactory performance, the payment shall be made after the Supplier has made the necessary repairs and/or modifications and satisfactory performance is obtained, or the unit is replaced.

1.15 – CONTRACT EXCEPTIONS

1.15.1 - NON-RESPONSIVE

Bid proposals that claim exceptions to the terms and conditions stated within these Specifications may be declared non-responsive and the bid proposal may be rejected.

1.15.2 - COST OF COMPLIANCE

The City prefers that the Respondents determine the cost of compliance, with the City's terms and conditions, and include such costs into the unit prices, of the items, in the Respondent's proposal.

1.15.3 - MULTIPLE PROPOSALS

Respondents may submit multiple bid proposals to demonstrate the cost savings associated with acceptance of the Respondent's proposed terms and conditions. Refer to Section 1.08.3 for "Alternate Proposals".



Material Specification 15kV Single Phase Pad-Mounted Transformers

SECTION 2 - TECHNICAL PROVISIONS

2.01 – STANDARDS & TERMINOLOGY

Terminology used in this specification is consistent with IEEE C57.12.80 unless otherwise noted.

2.01.1 – STANDARDS

All units shall meet the most recent editions of the following standards and all others that are applicable:

Standard Number	Standard Title
DOE 10 CFR Part 431	Energy Conservation Standards for Distribution Transformers
IEEE C57.12.00	General Requirements for Liquid-Immersed Distribution, Power, and Regulating Transformers
IEEE C57.12.28	Pad-Mounted Equipment - Enclosure Integrity
IEEE C57.12.35	Bar Coding for Distribution Transformers and Step-Voltage Regulators
IEEE C57.12.38	Pad-Mounted - Type, Self-Cooled, Single-Phase Distribution Transformers; High Voltage 34 500 GrdY/19 920 V and Below; Low Voltage, 240/120 V; 167 kVA and Smaller
IEEE C57.12.80	Terminology for Power and Distribution Transformers
IEEE C57.12.90	Test Code for Liquid-Immersed Distribution, Power, and Regulating Transformers
IEEE C57.91	Guide for Loading Mineral-Oil-Immersed Transformers
IEEE C57.147	Guide for Acceptance and Maintenance of Natural Ester Fluids in Transformers
ANSI Z535	Safety Sign and Label Standards
ANSI/ISO/ASQ Q9001	Quality Management Systems - Requirements
ASTM D-3487	Mineral Insulating Oil Used in Electrical Apparatus
ASTM D-6871	Natural (Vegetable Oil) Ester Fluids Used in Electrical Apparatus
Western Underground Committee Guide 2.13	Security for Pad-mounted Equipment Enclosures

2.02 - TRANSFORMER EFFICIENCY

Only units that meet or exceed the U.S. Department of Energy efficiency standards for liquid filled distribution transformers 10 CFR Part 431 will be considered for this bid; all others will be rejected. All units shall have represented efficiencies that meet or exceed the efficiency values in the following table:

Transformer Efficiencies per DOE 10 CFR Part 431	
kVA	Efficiency (%)
15	98.82
25	98.95
50	99.11
75	99.19
100	99.25
167	99.33

2.03 - ENCLOSURE SPECIFICATIONS

2.03.1 – DIMENSIONS

The maximum dimensions of the pad-mount transformers shall be as shown below. These dimensions do not include cooling fins.

2.03.1A – TYPE 1 TRANSFORMERS

	25 – 50 kVA (in.)	100 – 167 kVA (in.)
Height	32.5	38.5
Width	36	36
Depth	35	40

2.03.1B – TYPE 2 TRANSFORMERS

	25 – 50 kVA (in.)	100 – 167 kVA (in.)
Height	29	32
Width	36	36
Depth	35	40

2.03.2 – DEPTH OF DOOR

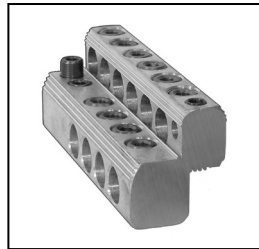
The depth of the door shall be a minimum of 17 inches from face of tank to the front of the cover when in a closed position.

**2.03.3 – DOOR COMPATIBLE WITH CITY OF TACOMA SUPPLIED
SECONDARY TERMINAL CONNECTORS**

Tacoma Power has experienced problems in the past with the transformer door contacting the secondary connectors upon closure. The door shall be able to close without any interference to installed Tacoma Power secondary stud connectors (with right hand mounting) listed below:

- Connector Manufacturing Company (CMC), p/n SHB10-500SLRAXBUH
- Polaris Electrical Connectors, p/n PTLEZ500-10SLRHAP

Example Connector:



2.03.4 – MINIMUM CABLE ACCESS OPENING

The minimum cable opening width is 28.75 in.

2.03.5 – ENCLOSURE MATERIAL

- The tank and door shall be made of a minimum of #13 U.S. gauge sheet steel, except the underside of the transformer, to include the cabinet sill, the tank riser and the tank bottom, shall be constructed of AISI Type 304 stainless steel.
- The stainless steel shall extend a minimum of 1.5 in. up the enclosure side.

2.03.6 – HINGE AND FASTENING HARDWARE

All hinges and hinge pins shall be AISI Type 304 Stainless Steel or better.

2.03.7 – ENCLOSURE COATING

- The unit shall have a uniform corrosion-resistant finish of a minimum of 3.0 mil thick.
- The color shall be Munsell 7GY-3.29/1.5 (Padmount Green).

2.03.8 – CROWNING

The tank roof shall be crowned to shed water and the door shall be constructed such that water does not pool on top.

2.03.9 – LOCKING SYSTEM

The locking system shall incorporate a two-lock system using a Pentahead bolt and standard padlock as the locking devices. The Pentahead bolt shall be captive-spring assisted within a recessed blind hole. The padlock cannot be applied until the Pentahead bolt has been completely recessed. With the padlock installed, the Pentahead bolt cannot be removed. The locking system shall be shown to be simple to use and resistant to misalignment. Manufacturer does not provide padlock.

2.03.10 – LIFTING BOLT ATTACHMENT

- The unit shall be sling balanced and include 5/8 in. - 11 UNC captive nuts welded to the sides of the tank for temporary lifting bolts to be attached.
- Two (2) 5/8 in. X 2 in. lifting bolts shall be included with the unit bagged/taped/tied to a parking stand.

2.03.11 – SILL

- The sill shall be removable.
- The fastening hardware shall not be removable from exterior to the unit.
- Sill shall have rubber bumpers (Bumper Specialties, Inc., p/n BS-32) located on sides and front of sill where the sill interfaces with the door.

2.03.12 – OIL FILL AND DRAIN PLUGS

There shall be no pet cocks or drain valves (pipe plug is acceptable).

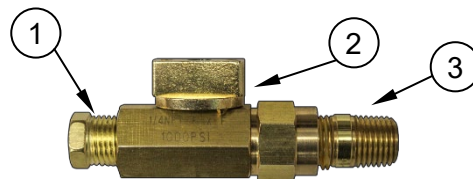
2.03.13 – PRESSURE RELIEF

- Units with mineral insulating oil shall have a pressure-relief device (Qualitrol Model 202-032-1 or approved equal) that can be operated by a standard high-voltage switch stick or clamp-stick and shall be installed between the H1B and X3 above the high temperature oil level.
- Units with natural ester-based insulating fluids shall have a green capped pressure-relief device (Viat Model 302-070-011, Heartland Model HPV-1230, or approved equal) that can be operated by a standard high-voltage switch stick or clamp-stick and shall be installed between the H1B and X3 above the high temperature oil level, and shall be lubricated with Krytox prior to shipping.

2.03.14 – FILL OR “NITROGEN” VALVE

All units shall have a fill or “nitrogen” valve that will allow air pressure to be induced into the air space of the tank. This valve shall consist of the following:

- Item 1 – Grainger 20XN79 Low Lead Brass Hex Plug, 1/4" Pipe Size
- Item 2 – Grainger 1WMN6 Brass FNPT x FNPT Ball Valve, Round, 1/4" Pipe Size
- Item 3 – Grainger 1DFX5 1/4" x 1-1/8" Brass Male Close Nipple, Pipe Nipple



2.03.15 – GASKETS

Gaskets for the conductor terminations and bayonet fuse holder shall be reusable Nitrile or Viton material.

2.03.16 – NAMEPLATE INFORMATION

The nameplate shall meet the requirements of IEEE C57.12.00 with the following exceptions/additions:

- For mineral oil filled units, the nameplate shall state “Contains no detectable level of PCB (less than 1PPM) at the time of manufacture” or similar statement as approved by Tacoma Power.
- For natural-ester based fluid filled units, the nameplate shall state “Natural Ester Fluid – when manufactured contained less than 1PPM PCB” or similar statement as approved by Tacoma Power.
- The nameplate shall state “DOE 10 CFR Part 431 compliant”.
- The nameplate shall include the approximate volume of oil in gallons.
- The listed weights shall be in pounds (lbs.).

2.04 – INSULATION LEVEL

The insulation class and basic lightning impulse insulation levels (BIL) for the windings and terminals shall be as shown below:

Components	Insulation Class	BIL
High-voltage winding and terminals	15 kV	95 kV
Low-voltage windings and terminals	1.2 kV	30 kV
Secondary neutral terminal	1.2 kV	30 kV

2.05 – APPARATUS SPECIFICATIONS

The following will be required for the transformers listed in this specification.

2.05.1 – TYPE 1 TRANSFORMERS (ITEMS 1 THRU 3)

The physical arrangement of items 1 thru 3 shall be of a Type 1 transformer, radial feed, as shown in Figure 1 of IEEE C57.12.38 except for the additional specifications as listed in these technical specifications.

2.05.2 – TYPE 2 TRANSFORMERS (ITEMS 4 THRU 14)

The physical arrangement of items 4 thru 14 shall be of a Type 2 transformer, loop feed, as shown in Figure 3 of IEEE C57.12.38 except for the additional specifications as listed in these technical specifications.

2.05.2A – PARKING STAND FOR TYPE 2 TRANSFORMERS

Type 2 transformers shall have only 1 parking stand between the H1A and H1B bushings as shown in Detail “B” of Figure 2 of IEEE C57.12.38.

2.05.3 – GROUNDING PROVISIONS

- Two grounding pads (1/2 in. - 13 UNC nuts, 7/16 in. deep) shall be welded to the case in the locations shown in Figures 1 and 3 of IEEE C57.12.38.
- Provide a minimum of one ground connector AB Chance GC-207.



Material Specification 15kV Single Phase Pad-Mounted Transformers

2.05.4 – BAY-O-NET FUSE HOLDER

Units shall be protected with a Bay-O-Net fuse holder that will accept a Cooper Power Dual Sensing Bay-O-Net Fuse Link Style No. 358C and has a device that will prevent transformer oil from being expelled when the fuse is removed.

Approved Fuse Holders:

- Cooper Power Systems 4000361C99FV
- ABB Inc., 1C10775G02

2.05.4A – FUSE LINKS

Fuse holders shall be fused according to Tacoma Power Standard A-UG-1215 “Transformers, Padmount, 1Ø, Fusing” in Appendix A.

2.05.4B – DRIP SHIELD

The fuse holder shall also include a removable drip shield.

2.05.4C – ISOLATION LINK

Bay-O-Net Fuse holders shall include isolation links, matched to the transformer size and Dual Sensing Bay-O-Net Fuse Link, attached to the load connector.

2.05.5 – PRIMARY HV TERMINATIONS

Units shall come equipped with HV bushing wells with loadbreak inserts for deadfront application as described below.

2.05.5A – BUSHING WELLS

The bushing wells shall be Cooper BW150R 200A, 35KV class tri-clamp.

2.05.5B – LOADBREAK BUSHING INSERTS

The bushing inserts shall be 15 kV, 200A loadbreak bushing inserts, Cooper Power Systems p/n LBI215, or equivalent, that includes a molded-in, bright yellow “Latch Indicator Ring.”

2.05.5B.1 – BLEED WIRE

A bleed wire shall be attached to the clamping ring bail and bushing insert per manufacturer’s recommendations.

2.05.5B.2 – DUST COVER

Bushing inserts shall be shipped with a red dust cover.

2.05.6 – LOW VOLTAGE TERMINALS

The following is required for the secondary terminals:

2.05.6A – SECONDARY TERMINAL LOCATION

To prevent door contact onto Tacoma Power installed secondary stud connectors, these specifications suggest the following:

Type 1 Transformers	The X1 bushing shall be a minimum of 4 in. horizontally from the inside edge of the transformer door. The X2 and X3 bushings shall be adjusted accordingly to keep the
---------------------	---



Material Specification 15kV Single Phase Pad-Mounted Transformers

	same spacings as shown in Figure 1 of IEEE C57.12.38
Type 2 Transformers	The X2 bushing shall be 4.5 in. horizontally from the inside edge of the transformer door. The X1 and X3 bushings shall be adjusted accordingly to keep the same spacings as shown in Figure 3 of IEEE C57.12.38

The dimensions in bold above are a best estimate to prevent interference with an installed secondary connector and the manufacturer's style of transformer door. In any case, it is the responsibility of the manufacturer to ensure the door will be able to close without any interference to installed Tacoma Power secondary transformer stud connectors (with right hand mounting) as listed in 3.03.3.

2.05.6B – LOW VOLTAGE TERMINAL DIMENSIONS

The dimensions of the secondary terminal studs shall be as per the table below. In any case, there must be a minimum 1.5 in. of threads after installation of brass jam nuts and ground strap.

kVA Rating	Thread Size	Minimum Overall Length
25 - 50	5/8 in. - 11 UNC-2A	1.75 inches
100 - 167	1 in. - 14 UNS-2A	1.75 inches

2.05.6C – TERMINAL INSULATING MATERIAL

The insulating material may be porcelain, epoxy, or High Temperature Nylon.

2.05.6D – VERTICAL SEPARATION

The distance between bushings shall be no less than 5.0 inches on vertical centers.

2.05.6E – GROUND STRAP AND BRASS JAM NUTS

- A ground strap shall be included to the neutral bushing and it shall be removable.
- The stud of each terminal will come with one brass jam nut installed.
- The brass jam nut on X2 bushing shall be installed behind the ground strap

2.06 – CORE/COIL SPECIFICATIONS

The following are the transformer core requirements for the transformers listed in this specification

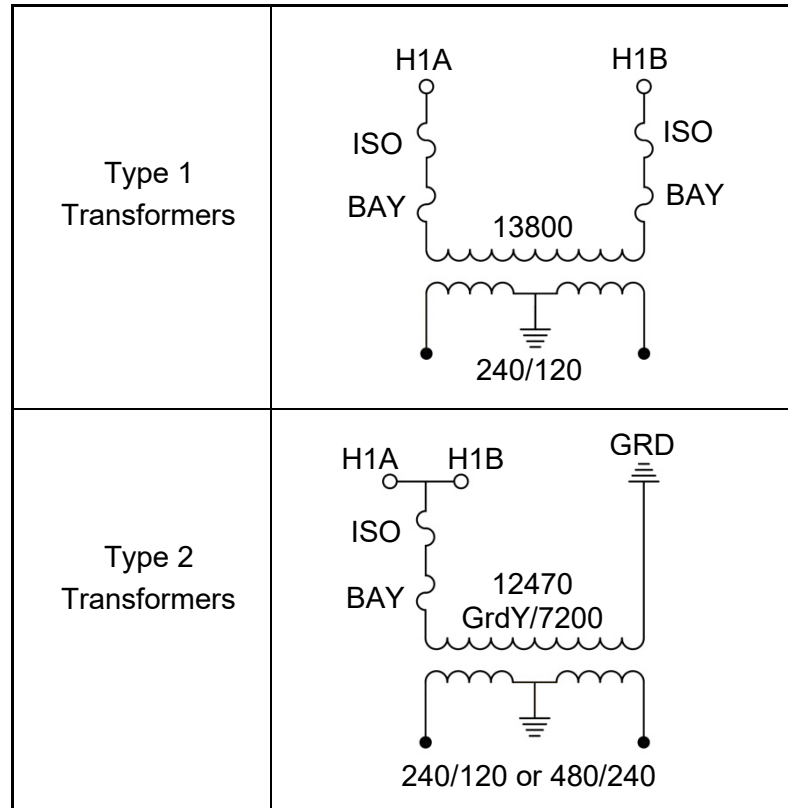
2.06.1 – DESIGN TEMPERATURES

Units shall be rated and designed for 65°C average winding rise per IEEE C57.12.00. Units rated and designed for 65/75°C or 75°C average winding rise that meet or exceed the IEEE/ANSI/ASTM/NEMA standards of this specification can also be considered

2.06.2 - COIL CONSTRUCTION

Transformer coils shall be wound with insulating paper coated on both sides with a thermosetting adhesive that when properly cured will form an effective bond, both turn-to-turn and layer-to-layer, prior to impregnating with oil

2.06.3 – CORE/COIL SCHEMATICS



2.07 – INSULATING FLUIDS

2.07.1 – MINERAL OIL

- The mineral insulating oil shall meet the specifications of ASTM Standard D-3487 and contain no detectable Polychlorinated Biphenyl (PCB).
- The transformer oil shall be new, clear in appearance and have a dielectric strength of over 30 kV.

2.07.2 – NATURAL ESTER-BASED INSULATING FLUID

The natural ester-based fluid must meet or exceed the acceptance values in accordance with IEEE C57.147 and shall be FM approved and UL classified as a “less-flammable fluid”. Furthermore, the fluid shall be fully miscible with other natural ester-based fluids.

2.08 – STENCILING AND LABELS (REFER TO FIGURES 1 – 4):

The following stenciling/labeling requirements are to be applied on units delivered to Tacoma Power.



Material Specification 15kV Single Phase Pad-Mounted Transformers

2.08.1 – KVA AND VOLTAGE DESIGNATIONS

The KVA and voltage designations are to be stenciled on the units as identified below.

	Stencil	Size (in.)	Color
kVA Size	25 50 100 167	3	White
Voltage Designation	7200 240/120	3/4	
	7200 480/240		
	13800 240/120		

2.08.1A – LOCATION

The kVA and voltage designations of the units shall be located as follows

- The front exterior of the door (kVA only)
- Top of the tank facing the right side (kVA, primary and secondary voltage)
- Inside the door (should be legible with the door open) (kVA and primary voltage)

2.08.2 – TRACKING NUMBERS (SAP #)

Tracking numbers unique to Tacoma Power (seven-digit SAP equipment number to be supplied by Tacoma Power's data management section) shall be stenciled on the units as identified below.

2.08.2A – SIZE, COLOR AND LOCATION

The numbers shall be applied as follows:

- White color and 2 in. size stenciling
- The front exterior of the door
- Top of the tank facing the right side
- Inside the door (should be legible with the door open)
- On the face of the tank next to the secondary terminals

2.08.3 – NATURAL ESTER FLUID TRANSFORMERS

Units that are filled with natural ester insulating fluid shall have "NATURAL ESTER FLUID" stenciled with 3/4 in. letters, white in color, located:

- On the top of the tank, above the tracking (SAP) number.
- On the face of the tank above the oil drain plug.

2.08.4 – SAFETY LABELS

Current ANSI Z535 approved "DANGER" labels, free of wrinkles and air bubbles, shall be provided on each unit as follows:

Material Specification 15kV Single Phase Pad-Mounted Transformers

2.08.4A – APPROVED SYMBOL ON LABEL

The following symbols are approved for use on DANGER labels applied to Tacoma Power transformers. All other DANGER symbols are not allowed.



2.08.4B – LOCATION

- On the face of the tank between the primary and secondary bushings
- Inside the door (should be right side up and legible with the door open)
- Do not apply any “DANGER” or “WARNING” labels on the exterior of the unit

Figure 1



Figure 2



Figure 3



Figure 4



Transformer, Padmount, 1 Φ Fusing

A-UG-1215

Application

This standard lists the fuse links used in the Bay-O-Net fuseholders in 1 Φ padmount transformers.

Table 1 1 Φ Padmount Transformer Fuse Link

Primary Voltage (V)	Transformer kVA	Eaton/Cooper Fuse #	Fuse Rating (Amp)	Fuse Type	MID
7200	25	4000358C05	8	Dual Sensing	19813
	37.5	4000358C08	15	Dual Sensing	19814
	50	4000358C08	15	Dual Sensing	19814
	75	4000358C10	25	Dual Sensing	19815
	100	4000358C10	25	Dual Sensing	19815
	167	4000358C12	50	Dual Sensing	19816
13800	25	4000358C03	3	Dual Sensing	34712
	50	4000358C05	8	Dual Sensing	19813
	100	4000358C08	15	Dual Sensing	19814
2400	25	4000358C10	25	Dual Sensing	19815
	37.5	4000358C12	50	Dual Sensing	19816
	50	4000358C12	50	Dual Sensing	19816
	75	4000358C14	65	Dual Sensing	19817
	100	4000358C14	65	Dual Sensing	19817
	167	4000358C18	140	Dual Sensing	19818

Construction Notes

- See Cooper catalog S240-40-3 “Bay-O-Net Fuse Re-fusing Installation Instructions” for information on refusing transformer.

References

- Cooper catalog CA132010EN “Dual sensing Bay-O-Net fuse link”
- Cooper catalog S240-40-3 “Bay-O-Net Fuse Re-fusing Installation Instructions”

APPENDIX B

Signature Page

Price Proposal Forms

SIGNATURE PAGE

**CITY OF TACOMA
Tacoma Power/Transmission & Distribution**

All submittals must be in ink or typewritten, executed by a duly authorized officer or representative of the bidding/proposing entity, and received and time stamped as directed in the **Request for Bids page near the beginning of the specification**. If the bidder/proposer is a subsidiary or doing business on behalf of another entity, so state, and provide the firm name under which business is hereby transacted.

**REQUEST FOR BIDS SPECIFICATION NO. PT24-0124N
Single Phase Pad Mounted Distribution Transformers**

The undersigned bidder/proposer hereby agrees to execute the proposed contract and furnish all materials, labor, tools, equipment and all other facilities and services in accordance with these specifications.

The bidder/proposer agrees, by submitting a bid/proposal under these specifications, that in the event any litigation should arise concerning the submission of bids/proposals or the award of contract under this specification, Request for Bids, Request for Proposals or Request for Qualifications, the venue of such action or litigation shall be in the Superior Court of the State of Washington, in and for the County of Pierce.

Non-Collusion Declaration

The undersigned bidder/proposer hereby certifies under penalty of perjury that this bid/proposal is genuine and not a sham or collusive bid/proposal, or made in the interests or on behalf of any person or entity not herein named; and that said bidder/proposer has not directly or indirectly induced or solicited any contractor or supplier on the above work to put in a sham bid/proposal or any person or entity to refrain from submitting a bid/proposal; and that said bidder/proposer has not, in any manner, sought by collusion to secure to itself an advantage over any other contractor(s) or person(s).

Bidder/Proposer's Registered Name

Signature of Person Authorized to Enter Date
into Contracts for Bidder/Proposer

Address

Printed Name and Title

City, State, Zip

(Area Code) Telephone Number / Fax Number

Authorized Signatory E-Mail Address

State Business License Number
in WA, also known as UBI (Unified Business Identifier) Number

E.I.No. / Federal Social Security Number Used on Quarterly
Federal Tax Return, U.S. Treasury Dept. Form 941

State Contractor's License Number
(See Ch. 18.27, R.C.W.)

E-Mail Address for Communications

Addendum acknowledgement #1 _____ #2 _____ #3 _____ #4 _____ #5 _____

THIS PAGE MUST BE SIGNED AND RETURNED WITH SUBMITTAL.



PROPOSAL SHEET

NOTES:

1. All prices shall be submitted as F.O.B. Destination, freight prepaid and allowed (included in the unit price).
2. Respondents may bid on any combination of items. Partial bids will be accepted.
3. The City reserves the right to award to one or more Respondents, or make now award, in the best interest of the City.
4. Award may include a combination of items based on lead times, oil types, and optional item groups.
5. Determination as to acceptable equivalent items shall be at the City's sole discretion.

VENDOR INQUIRY

1. Does your firm accept payment by EFT/ACH? Y N
(Electronic Funds Transfer (EFT) by Automated Clearing House (ACH))

2. Prompt Payment discount offered _____%, _____ days.
Only discounts offered of 20 days or more will be considered for bid evaluation purposes.



**Material Specification
15kV Single Phase Pad-Mounted Transformers**

PROPOSAL PRICING SHEET

Item	Material ID	kVA	One-Time Purchase Quantity	Unit Price	Extended Price FOB Destination (Quantity x Unit Price)
Type 1 Transformers					
Natural Ester Fluid Transformers					
13800 – 240/120 VOLT – 1 PHASE – 2 BUSHINGS					
1	51554	25	0	\$	\$
2	51556	50	0	\$	\$
3	51555	100	0	\$	\$
Items 1 thru 3 Sub-Total					\$

Type 2 Transformers					
Standard Mineral Oil Transformers					
12470GrdY/7200 – 240/120 VOLT – 1 PHASE – 2 BUSHINGS					
4	35671	25	10	\$	\$
5	35673	50	30	\$	\$
6	35675	100	10	\$	\$
7	35676	167	5	\$	\$
Items 4 thru 7 Sub-Total					\$

Standard Mineral Oil Transformers					
12470GrdY/7200 – 480/240 VOLT – 1 PHASE – 2 BUSHINGS					
8	35677	25	1	\$	\$
9	35678	50	1	\$	\$
10	35679	100	0	\$	\$
Items 8 thru 10 Sub-Total					\$



**Material Specification
15kV Single Phase Pad-Mounted Transformers**

PROPOSAL PRICING SHEET

Item	Material ID	kVA	One-Time Purchase Quantity	Unit Price	Extended Price FOB Destination (Quantity x Unit Price)
Type 2 Transformers					
Natural Ester Fluid Transformers					
12470GrdY/7200 – 240/120 VOLT – 1 PHASE – 2 BUSHINGS					
11	40981	25	10	\$	\$
12	40982	50	30	\$	\$
13	40983	100	10	\$	\$
14	40984	167	5	\$	\$
Items 11 thru 14 Sub-Total					\$
Sub-Total of All Items					\$
Sales Tax @ 10.3%, Location Tax Collected: Tacoma, WA (Note Paragraph 1.41 of the Standard Terms and Conditions)					\$
Total for All Items with Tax					\$



**Material Specification
15kV Single Phase Pad-Mounted Transformers**

TECHNICAL DATA SHEET

Type 1 Transformers

**Natural Ester Fluid Transformers
13800 – 240/120 VOLT – 1 PHASE – 2 BUSHINGS**

Item	kVA	Weight Incl. Oil (lbs.)	Gallons of Oil	No-Load Loss (Watts) @ 20°C	Load Loss (Watts) @ 85°C	%Z	Represented Efficiency per DOE 10 CFR Part 431
1	25					%	%
2	50					%	%
3	100					%	%

Delivery Lead Time Weeks

Type 2 Transformers

**Standard Mineral Oil Transformers
12470GrdY/7200 – 240/120 VOLT – 1 PHASE – 2 BUSHINGS**

Item	kVA	Weight Incl. Oil (lbs.)	Gallons of Oil	No-Load Loss (Watts) @ 20°C	Load Loss (Watts) @ 85°C	%Z	Represented Efficiency per DOE 10 CFR Part 431
4	25					%	
5	50					%	
6	100					%	
7	167					%	

Delivery Lead Time Weeks



**Material Specification
15kV Single Phase Pad-Mounted Transformers**

TECHNICAL DATA SHEET

**Standard Mineral Oil Transformers
12470GrdY/7200 – 480/240 VOLT – 1 PHASE – 2 BUSHINGS**

Item	kVA	Weight Incl. Oil (lbs.)	Gallons of Oil	No-Load Loss (Watts) @ 20°C	Load Loss (Watts) @ 85°C	%Z	Represented Efficiency per DOE 10 CFR Part 431
8	25					%	
9	50					%	
10	100					%	

Delivery Lead Time Weeks

**Natural Ester Fluid Transformers
12470GrdY/7200 – 240/120 VOLT – 1 PHASE – 2 BUSHINGS**

Item	kVA	Weight Incl. Oil (lbs.)	Gallons of Oil	No-Load Loss (Watts) @ 20°C	Load Loss (Watts) @ 85°C	%Z	Represented Efficiency per DOE 10 CFR Part 431
11	25					%	
12	50					%	
13	100					%	
14	167					%	

Delivery Lead Time Weeks



**Material Specification
15kV Single Phase Pad-Mounted Transformers**

PROPOSAL - TECHNICAL INFORMATION

The City requires that Respondents determine the cost of compliance with the City's terms and conditions and include such costs into the unit prices of the items in the Respondent's submittal. Unless a bid responds to the specification in all material respects, it is not a responsive bid. Acknowledge each question with a checkmark to indicate your response.

Indicate the Department of Energy methodology used to certify compliance with the efficiency standards for liquid-filled distribution transformers 10 CFR Part 431.

Testing	
AEDM	

Does the manufacturer have in place a quality assurance program that conforms to ISO 9001, ISO 9002, ANSI/ASQC Q91, ANSI/ASQC Q92 or equivalent?

YES	
NO	

List the standard used : _____

Do all items submitted per this Specification meet and/or exceed the requirements of the Technical Provisions?

YES	
NO	

Does your submittal make any restrictions or take any exceptions to the conditions or provisions outlined in this Specification?

YES	
NO	



**Material Specification
15kV Single Phase Pad-Mounted Transformers**

PROPOSAL - TECHNICAL INFORMATION (Continued)

Identify below the requested manufacturer information:

200A Bushing Insert Manufacturer and Catalog Number:	
Bayonet Fuse Holder Manufacturer and Catalog Number:	
Coil/Core Design for Short Circuit Withstand:	

PROPOSAL - VENDOR QUALIFICATION

State the number of years your firm has been manufacturing products of a similar scope to those outlined in this Specification. See Section 1.01.3 for minimum qualifications allowed.

	Years
--	-------