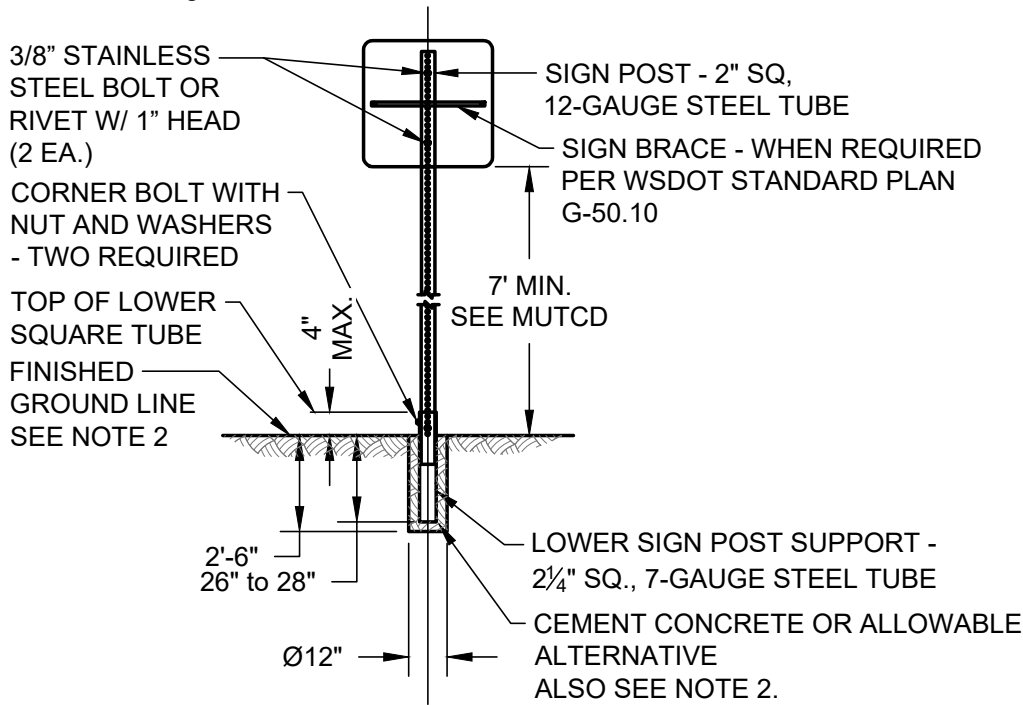
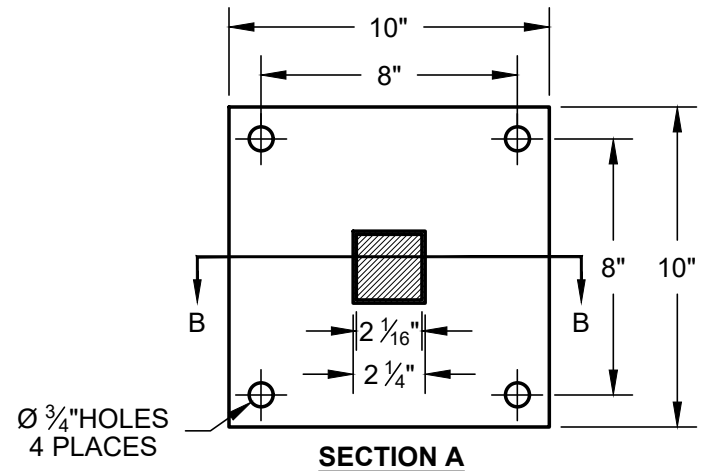
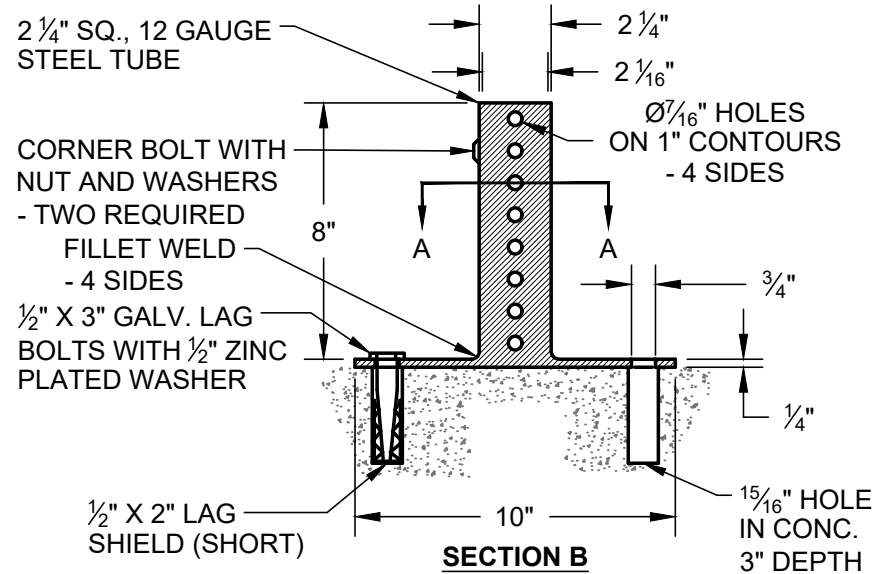


NOTES:

1. Surface mounting of sign posts, especially within traffic islands or medians, is only allowable at locations of existing hard surface with special authorization from the city's traffic engineering group, (Exception: Surface mounting of flexible post object markers within islands or medians is permitted).
2. If finished ground line is a hard surface, then the top of foundation shall be smooth, dense, and uniform to finished ground line.
3. The base for surface mounted sign shall be constructed such that the sign post will be plumb when installed.
4. Signs shall be mounted with sign face perpendicular to the adjacent roadway edge/curb face unless required to be mounted at 45-degrees towards roadway edge/curb face (and approaching traffic) per the MUTCD, such as a parking sign with an integrated arrow.

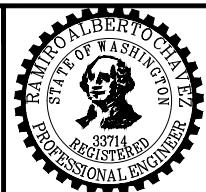


SIGN SUPPORT DETAIL FOR STEEL SIGN POST



BASE PLATE DETAIL FOR STEEL SIGN POST SURFACE MOUNTING (SEE NOTE 1)

DS <i>JD</i>	REVIEWED BY <i>EW</i>
PUBLIC WORKS	ENVIRONMENTAL SERVICES
N/A	N/A
TACOMA POWER	TACOMA WATER



APPROVED FOR PUBLICATION
DocuSigned by: <i>Ramiro Chavez</i>
04/11/2024
DATE

CITY OF TACOMA
SIGN POST INSTALLATION
STANDARD PLAN NO. SU-34