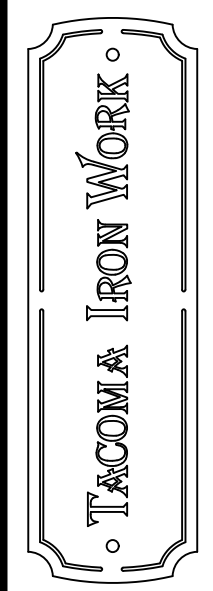
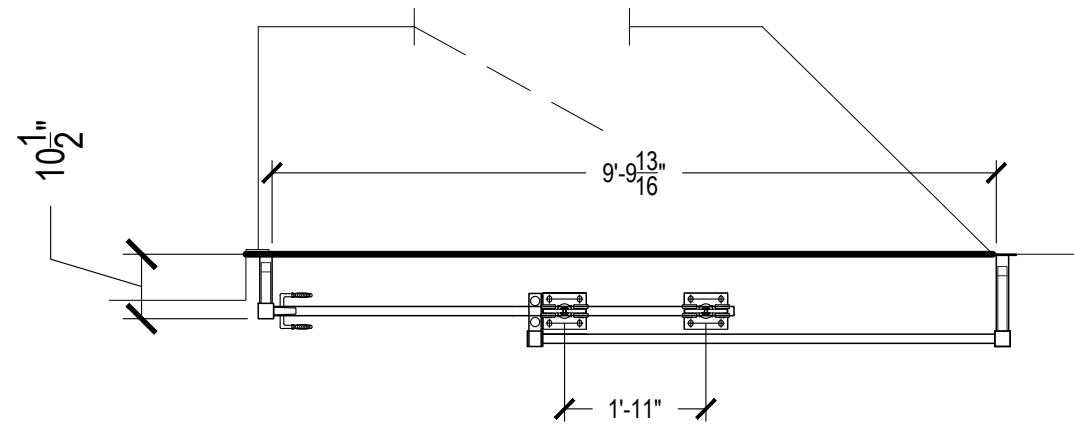


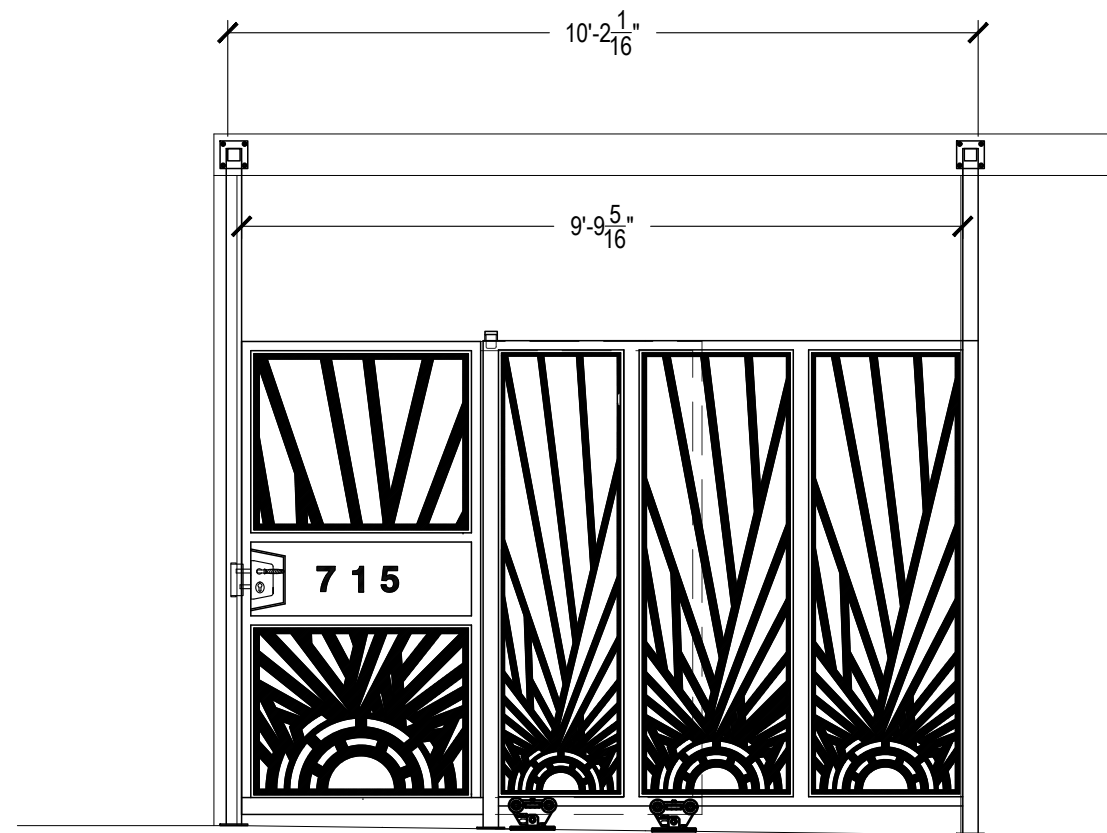
1 SITE PLAN
SCALE=3/8"=1'-0"

SENT FOR APPROVAL DATE: **/**/**	SENT TO FABRICATION DATE: **/**/**	TACOMA IRON WORK LLC. 3129 S LAWRENCE ST. TACOMA WA 98409 WWW.TACOMAIRONWORK.COM OFFICE: 253 539 8018	TITLE	715 PACIFIC AVENUE TACOMA, WA	DRAWN BY	Michael Gorman
			CONTRACTOR	N/A		
			JOB NAME	HOLLIE XITCO	CHECKED BY	
			JOB NUMBER	2382B	FINISH	AS NOTED
					SCALE	AS NOTED





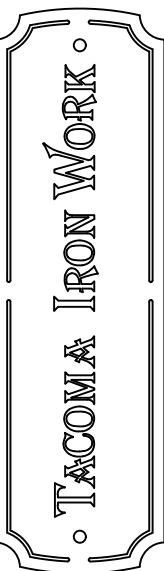
1 PLAN VIEW OF CANTILEVER GATE
SCALE=3/8"=1'-0"



2 ELEVATION VIEW OF CANTILEVER GATE
SCALE=3/8"=1'-0"

PLEASE EXAMINE DRAWING(S) CAREFULLY AS ALL WORK IS DONE TO PRINT. IF THERE ARE ANY QUESTIONS OR CONCERNS PLEASE ADDRESS THEM IMMEDIATELY. APPROVAL OF DRAWINGS IS NOTICE TO PROCEED WITH FABRICATION. ANY CHANGES AFTER APPROVAL OF DRAWINGS MAY BE SUBJECT TO COST IMPACTS AND SCHEDULE CHANGES.

SENT FOR APPROVAL	DATE:	**/**/**	TITLE	715 PACIFIC AVENUE TACOMA, WA	DRAWN BY	Michael Gorman
SENT TO FABRICATION	DATE:	**/**/**	LOCATION	TACOMA, WA	DATE	12/19/2023
TACOMA IRON WORK LLC.			CONTRACTOR	N/A	CHECKED BY	
3129 S LAWRENCE ST. TACOMA WA 98409			JOB NAME	HOLLIE XITCO	FINISH	
WWW.TACOMAIRONWORK.COM			JOB NUMBER	2382B	AS NOTED	
OFFICE: 253 539 8018					AS NOTED	

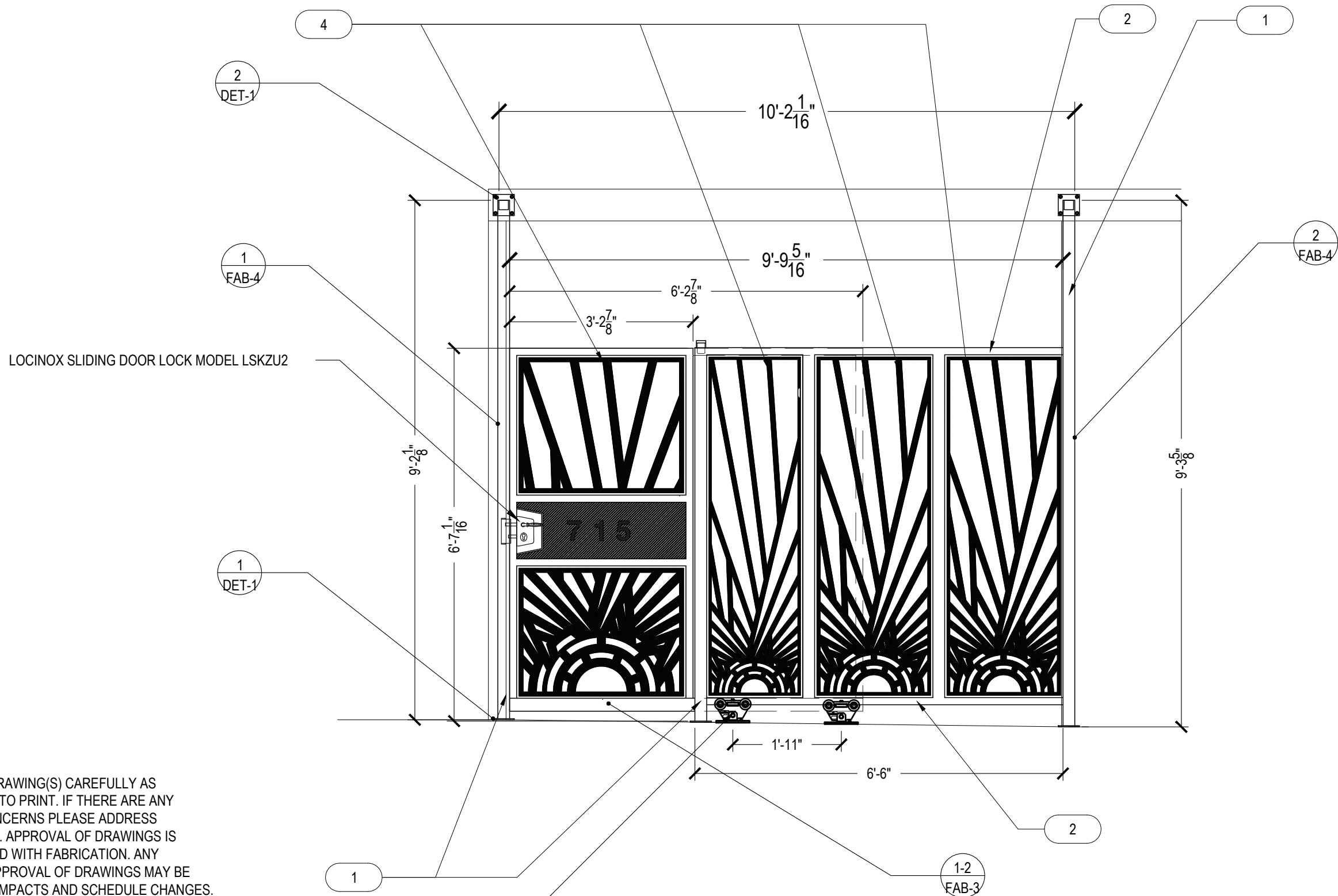


SHEET NUMBER

FAB-1

Bill of Material

Piece Mark	Qty	Description	Feet	Inches	Notes
1	5	HSS 2 1/2" X 2 1/2" X .120"	25	0	
2	2	HSS 1 1/2" X 1 1/2" X .120	13	0	
3	2	HSS 2 1/2" X 1 1/2" X .120"	13	6	
4	3	LASER CUT PANELS	0	0	

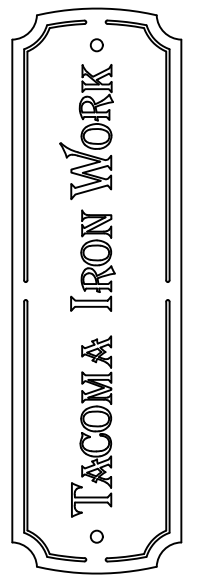


PLEASE EXAMINE DRAWING(S) CAREFULLY AS ALL WORK IS DONE TO PRINT. IF THERE ARE ANY QUESTIONS OR CONCERNS PLEASE ADDRESS THEM IMMEDIATELY. APPROVAL OF DRAWINGS IS NOTICE TO PROCEED WITH FABRICATION. ANY CHANGES AFTER APPROVAL OF DRAWINGS MAY BE SUBJECT TO COST IMPACTS AND SCHEDULE CHANGES.

DJA TROLLEY SYSTEM MODEL CA395S

1 ELEVATION VIEW
SCALE=1/2"=1'-0"

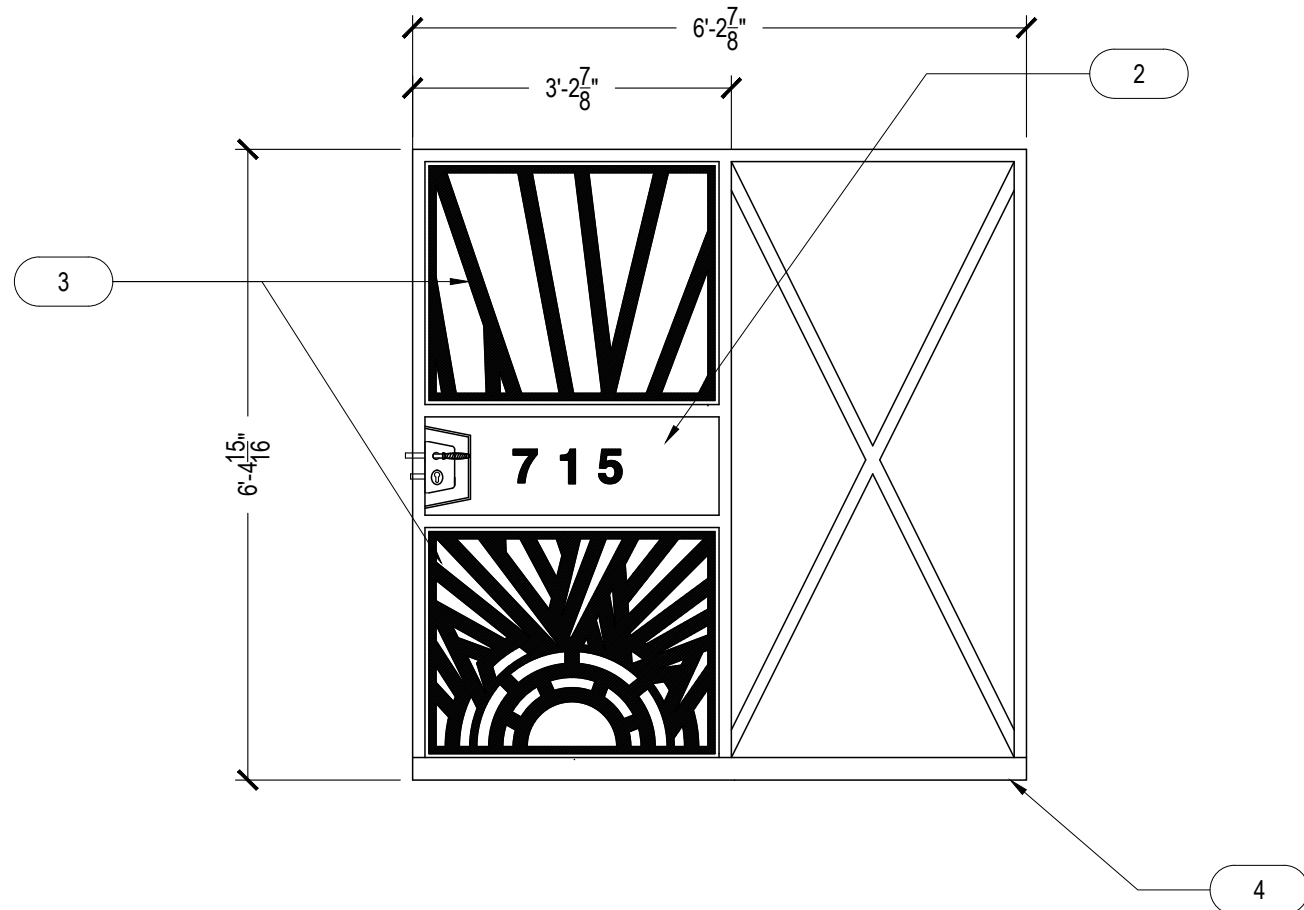
DRAWN BY Michael Gorman	TITLE 715 PACIFIC AVENUE TACOMA, WA
DATE 12/19/2023	CONTRACTOR N/A
SCALE AS NOTED	JOB NAME HOLLIE XITCO
FINISH AS NOTED	CHECKED BY 2382B
SENT FOR APPROVAL DATE: **/**/**	
SENT TO FABRICATION DATE: **/**/**	
TACOMA IRON WORK LLC. 3129 S LAWRENCE ST. TACOMA WA 98409 WWW.TACOMAIRONWORK.COM OFFICE: 253 539 8018	



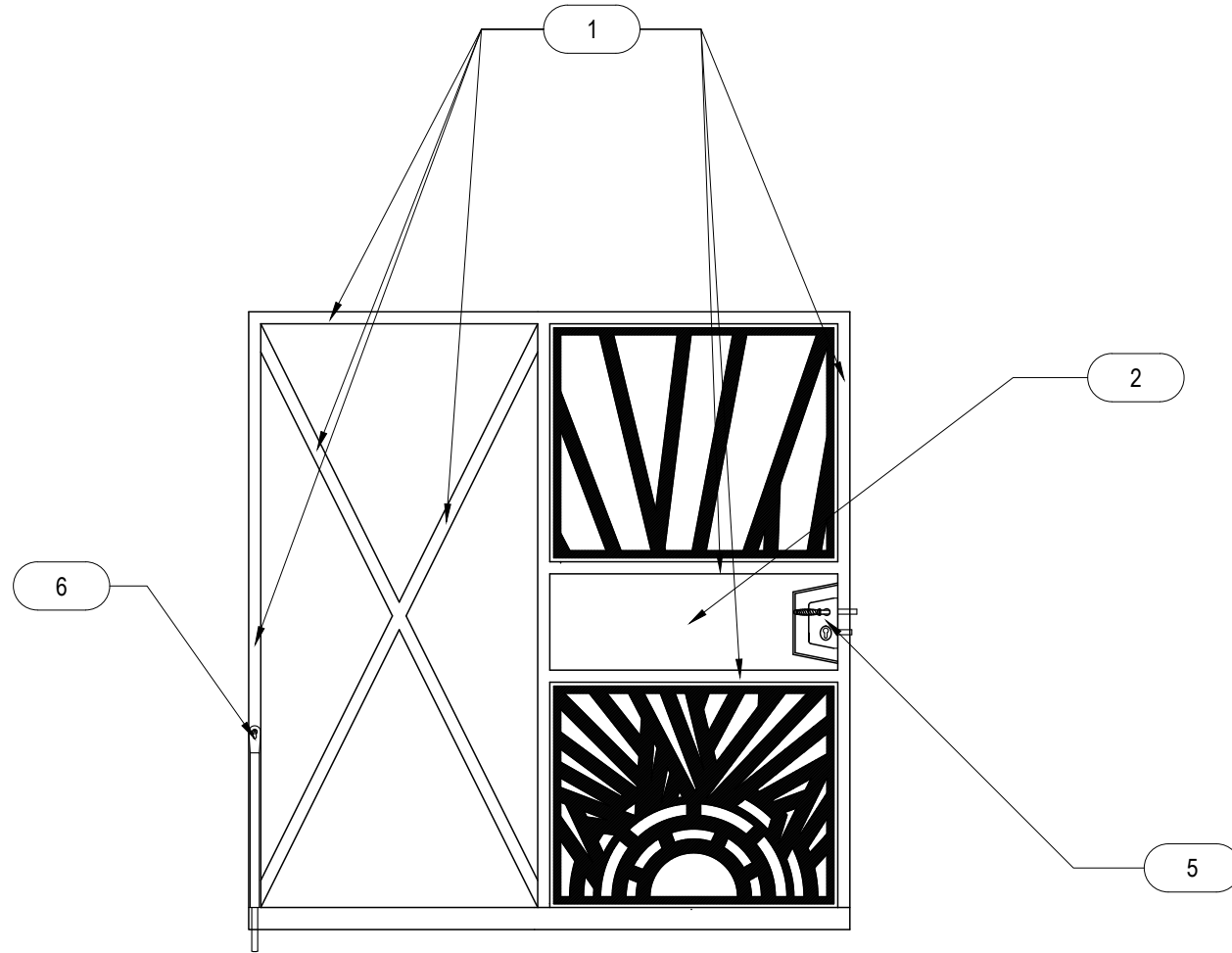
SHEET NUMBER
FAB-2

Bill of Material

Piece Mark	Qty	Description	Feet	Inches	Notes
1	7	HSS 1 1/2" X 1 1/2" X .120"	46	6	
2	2	12" X 1/8" HR FLAT	6	6	
3	2	LASER CUT PANELS	0	0	
4	1	CANTILEVER TRACK	6	3	
5	1	LOCINOX SLIDING GATE LOCK MODEL LSKZU2	0	0	
6	1	LOCINOX DROP ROD MODEL P00006405 - KEYDROP	0	0	



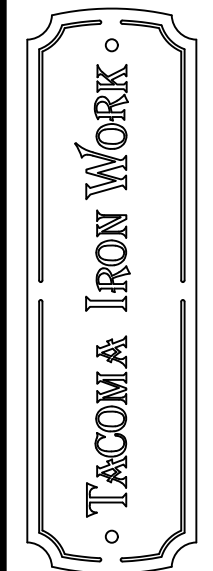
1 ELEVATION VIEW (FRONT)
SCALE=1/2"=1'-0"



2 ELEVATION VIEW (REAR)
SCALE=1/2"=1'-0"

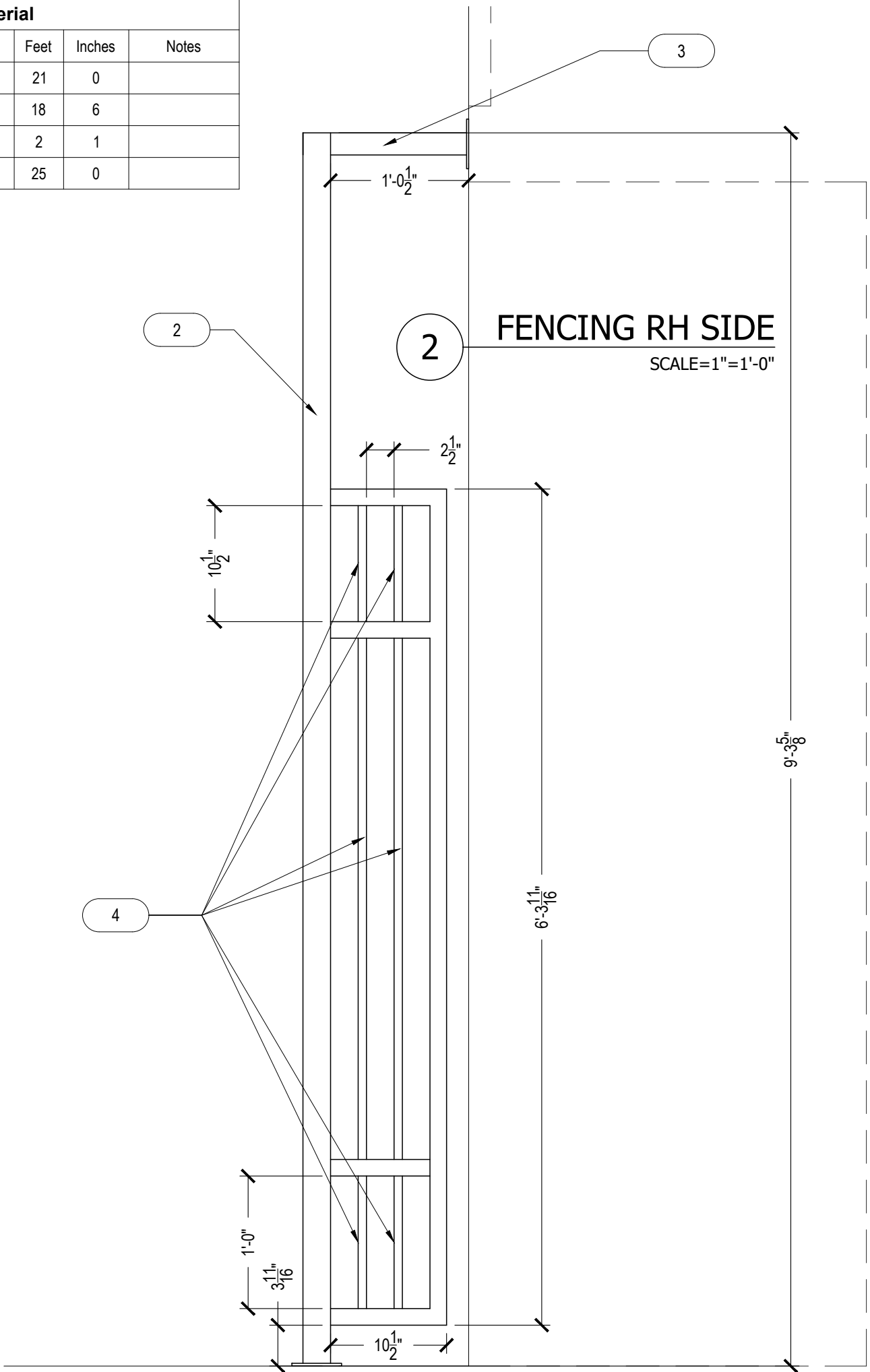
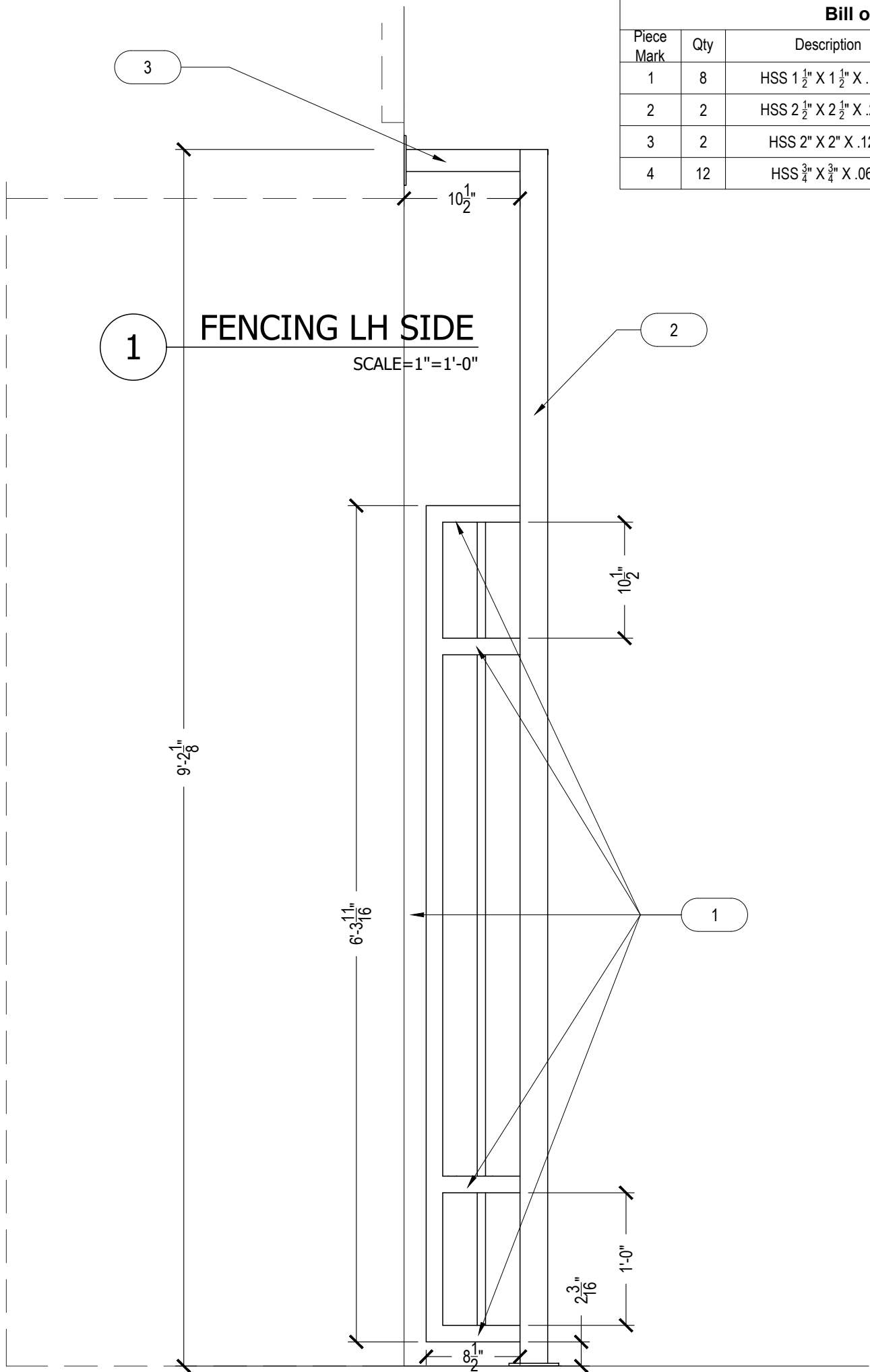
PLEASE EXAMINE DRAWING(S) CAREFULLY AS ALL WORK IS DONE TO PRINT. IF THERE ARE ANY QUESTIONS OR CONCERNS PLEASE ADDRESS THEM IMMEDIATELY. APPROVAL OF DRAWINGS IS NOTICE TO PROCEED WITH FABRICATION. ANY CHANGES AFTER APPROVAL OF DRAWINGS MAY BE SUBJECT TO COST IMPACTS AND SCHEDULE CHANGES.

DRAWN BY Michael Gorman	TITLE 715 PACIFIC AVENUE TACOMA, WA
DATE 12/19/2023	CONTRACTOR N/A
SCALE AS NOTED	JOB NAME HOLLIE XITCO
FINISH AS NOTED	CHECKED BY 2382B
SENT FOR APPROVAL DATE: **/**/**	
SENT TO FABRICATION DATE: **/**/**	
TACOMA IRON WORK LLC. 3129 S LAWRENCE ST. TACOMA WA 98409 WWW.TACOMAIRONWORK.COM OFFICE: 253 539 8018	

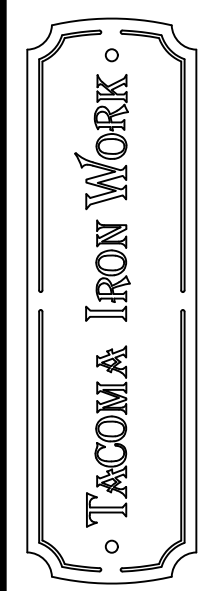


SHEET NUMBER
FAB-3

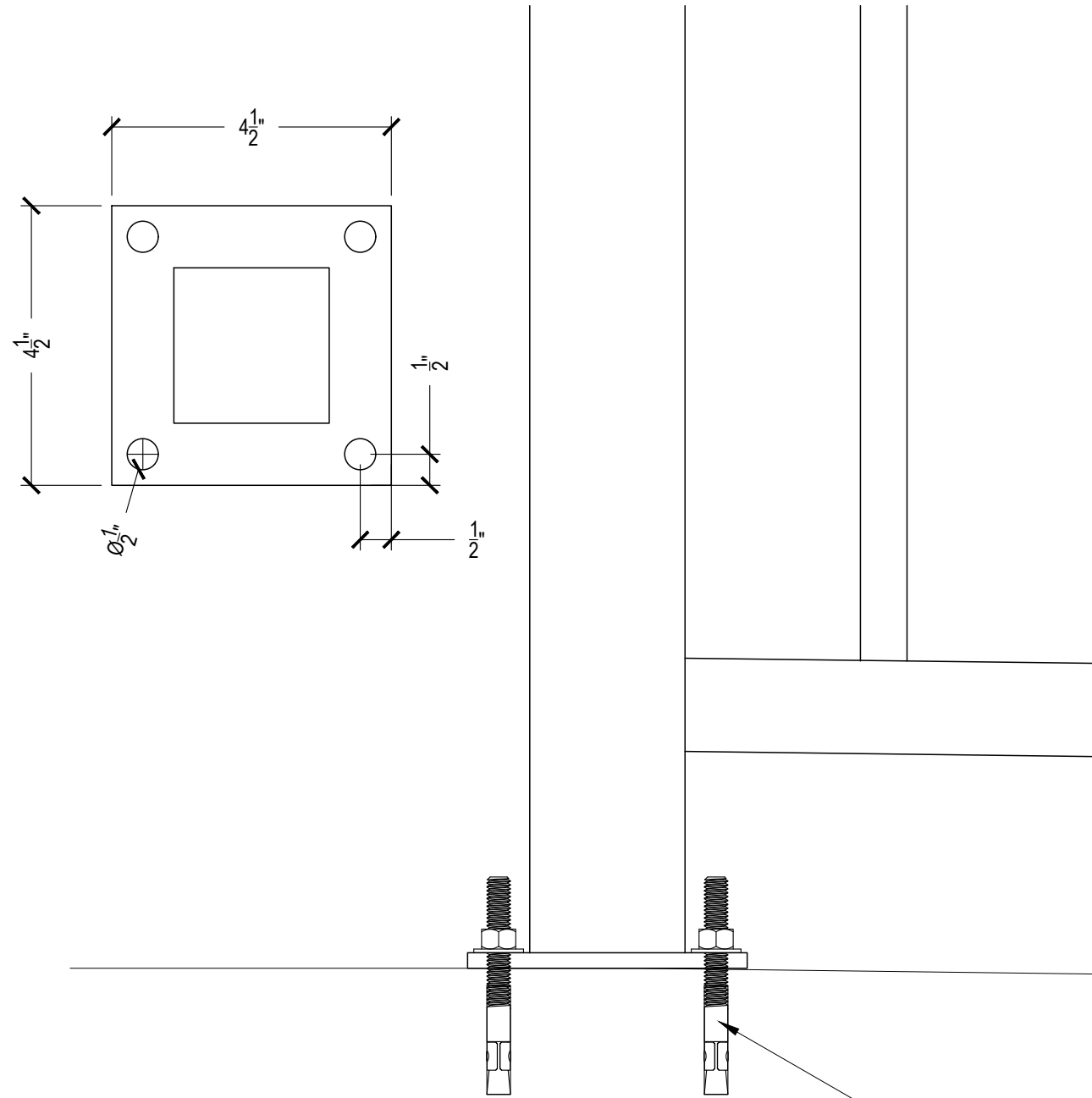
Bill of Material					
Piece Mark	Qty	Description	Feet	Inches	Notes
1	8	HSS 1 1/2" X 1 1/2" X .120"	21	0	
2	2	HSS 2 1/2" X 2 1/2" X .250"	18	6	
3	2	HSS 2" X 2" X .120"	2	1	
4	12	HSS 3/4" X 3/4" X .060"	25	0	



DRAWN BY Michael Gorman	SECURITY GATE 715 PACIFIC AVENUE TACOMA, WA	TITLE SECURITY GATE	SENT FOR APPROVAL DATE: **/**/**
DATE 12/19/2023	CONTRACTOR N/A	LOCATION 715 PACIFIC AVENUE TACOMA, WA	SENT TO FABRICATION DATE: **/**/**
SCALE AS NOTED	CHECKED BY HOLLIE XITCO	JOB NAME HOLLIE XITCO	TACOMA IRON WORK LLC. 3129 S LAWRENCE ST. TACOMA WA 98409 WWW.TACOMAIRONWORK.COM
FINISH AS NOTED	JOB NUMBER 2382B	JOB NUMBER 2382B	OFFICE: 253 539 8018



SHEET NUMBER
FAB-4

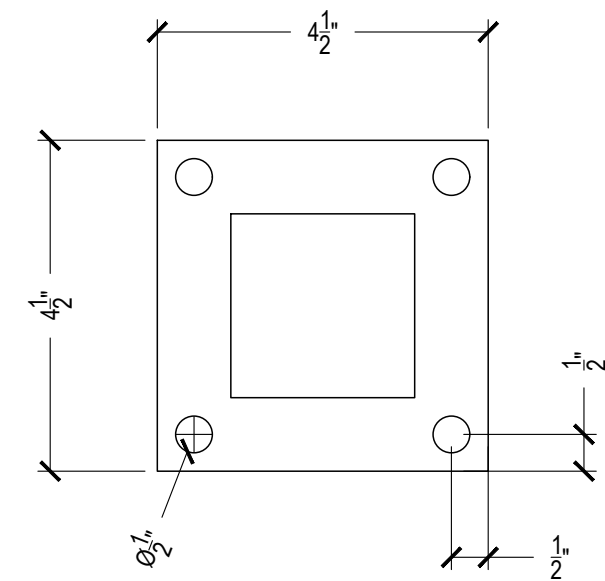


$\frac{3}{8}$ " - 16 X 3" DEWALT POWERSTUD HD5 WEDGE ANCHORS

1 ATTACHMENT METHOD (GROUND)
SCALE=1"=1'-0"



$\frac{3}{8}$ " X 4" GALVANIZED WOOD LAGS



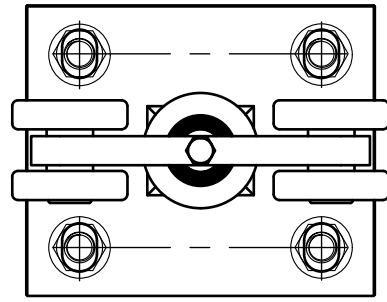
2 ATTACHMENT METHOD (WALL)
SCALE=1"=1'-0"



SHEET NUMBER

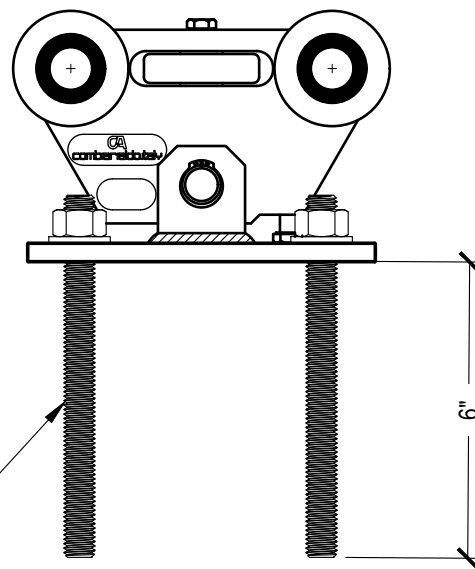
DET-1

SENT FOR APPROVAL	DATE:	**/**/**	TITLE	715 PACIFIC AVENUE TACOMA, WA	DRAWN BY	Michael Gorman
SENT TO FABRICATION	DATE:	**/**/**	LOCATION	N/A	DATE	12/19/2023
TACOMA IRON WORK LLC.			CONTRACTOR	HOLLIE XITCO	CHECKED BY	AS NOTED
3129 S LAWRENCE ST. TACOMA WA 98409			JOB NUMBER	2382B	FINISH	AS NOTED
WWW.TACOMAIRONWORK.COM			JOB NUMBER	2382B	FINISH	AS NOTED
OFFICE: 253 539 8018			JOB NUMBER	2382B	FINISH	AS NOTED



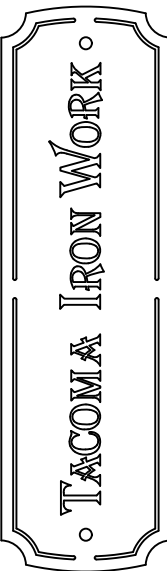
1 PLAN VIEW
SCALE=3"=1'-0"

DJA CANTILEVER SYSTEM CA395S



6" OF EMBEDMENT WITH SIKA PRO SELECT EPOXY

2 ELEVATION VIEW
SCALE=3"=1'-0"



SHEET NUMBER

DET-2

SENT FOR APPROVAL	**/**/**	DATE:	**/**/**	TITLE	715 PACIFIC AVENUE TACOMA, WA	DRAWN BY	Michael Gorman
SENT TO FABRICATION	**/**/**	DATE:	**/**/**	LOCATION	TACOMA, WA	DATE	12/19/2023
TACOMA IRON WORK LLC.		3129 S LAWRENCE ST. TACOMA WA 98409		CONTRACTOR	N/A	CHECKED BY	HOLLIE XITCO
WWW.TACOMAIRONWORK.COM		OFFICE: 253 539 8018		JOB NUMBER	2382B	FINISH	AS NOTED
				JOB NUMBER	2382B	SCALE	AS NOTED